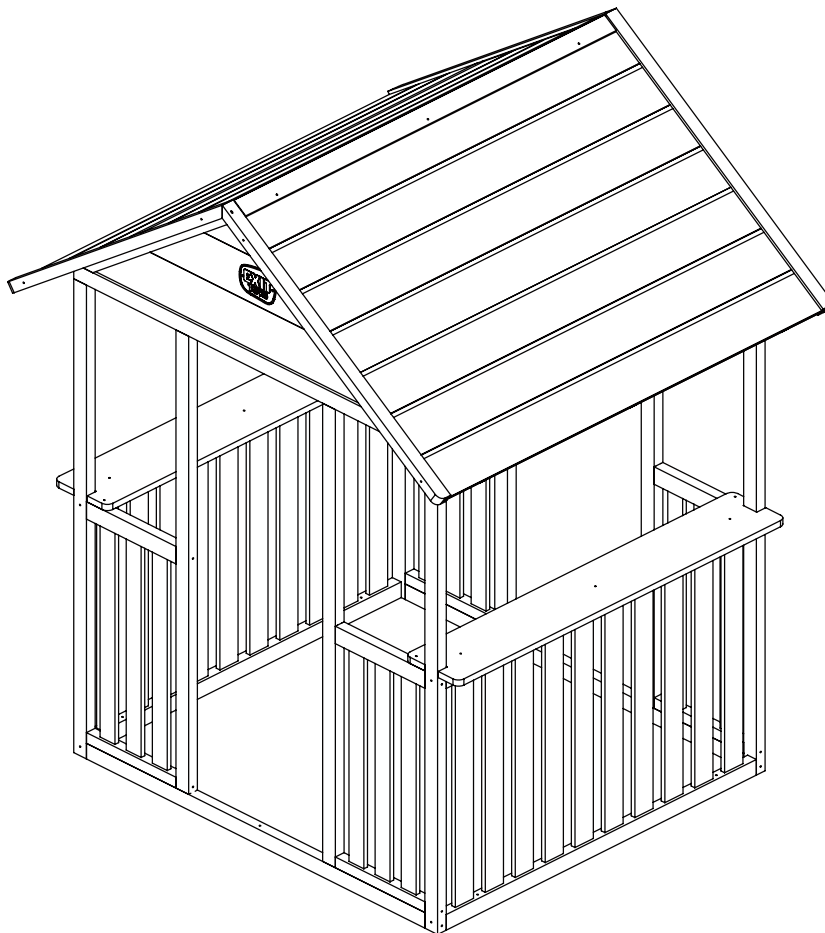


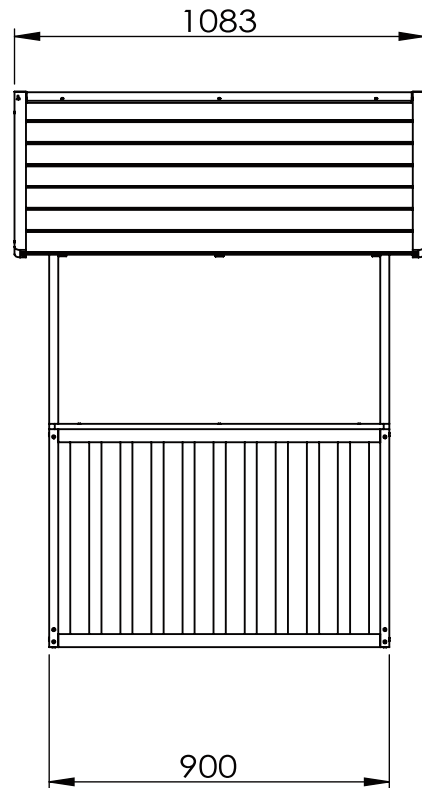
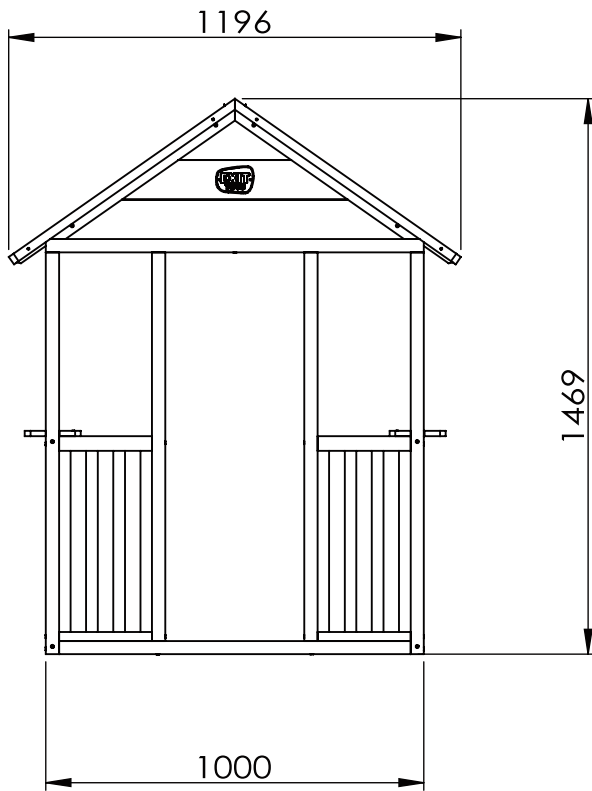
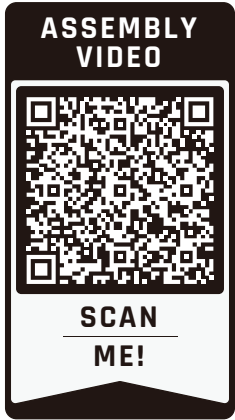
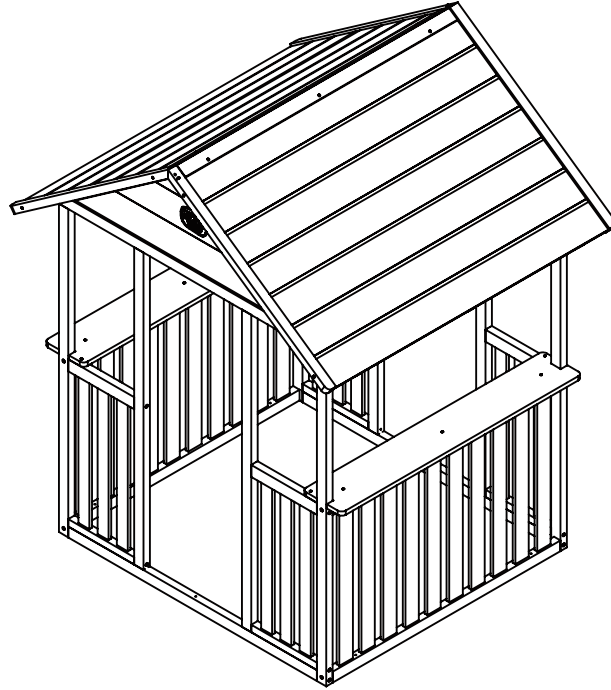


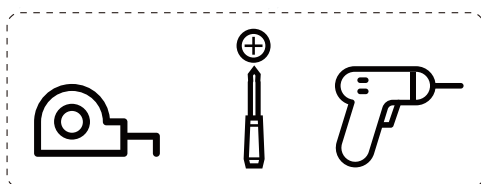
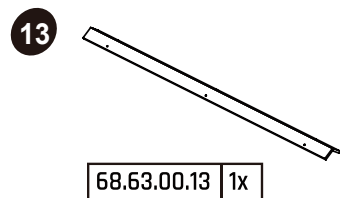
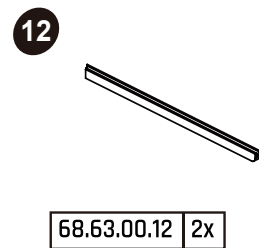
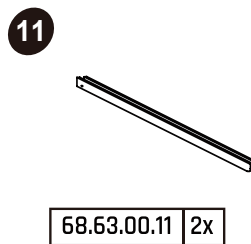
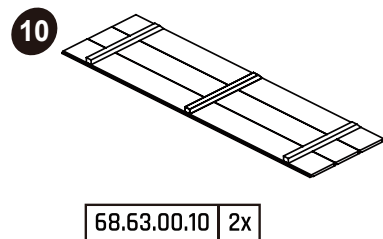
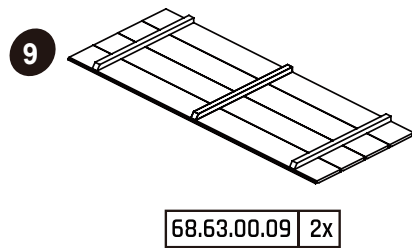
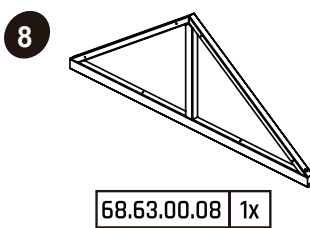
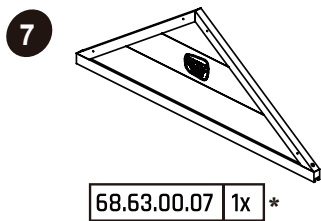
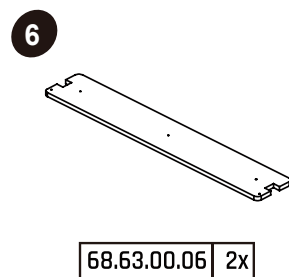
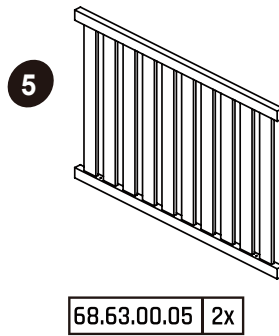
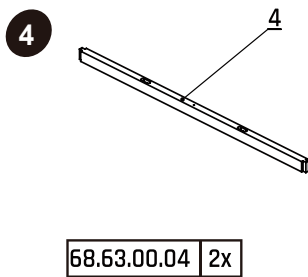
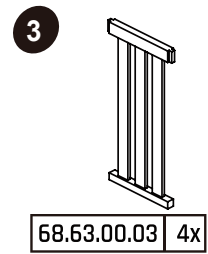
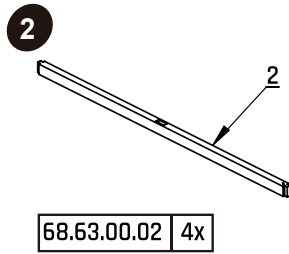
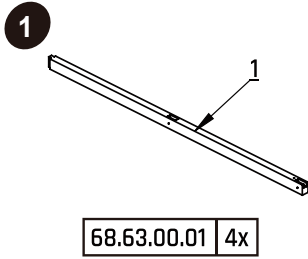
# Playhouse

EXIT Panorama

## Panorama 100







\* BOX REFERENCE: XX.XX  
 PRODUCTION ID: XXX XXX



68.63.00.80



$\phi$ 4x50 40x



$\phi$ 3.5x40 8x



$\phi$ 3x35 18x



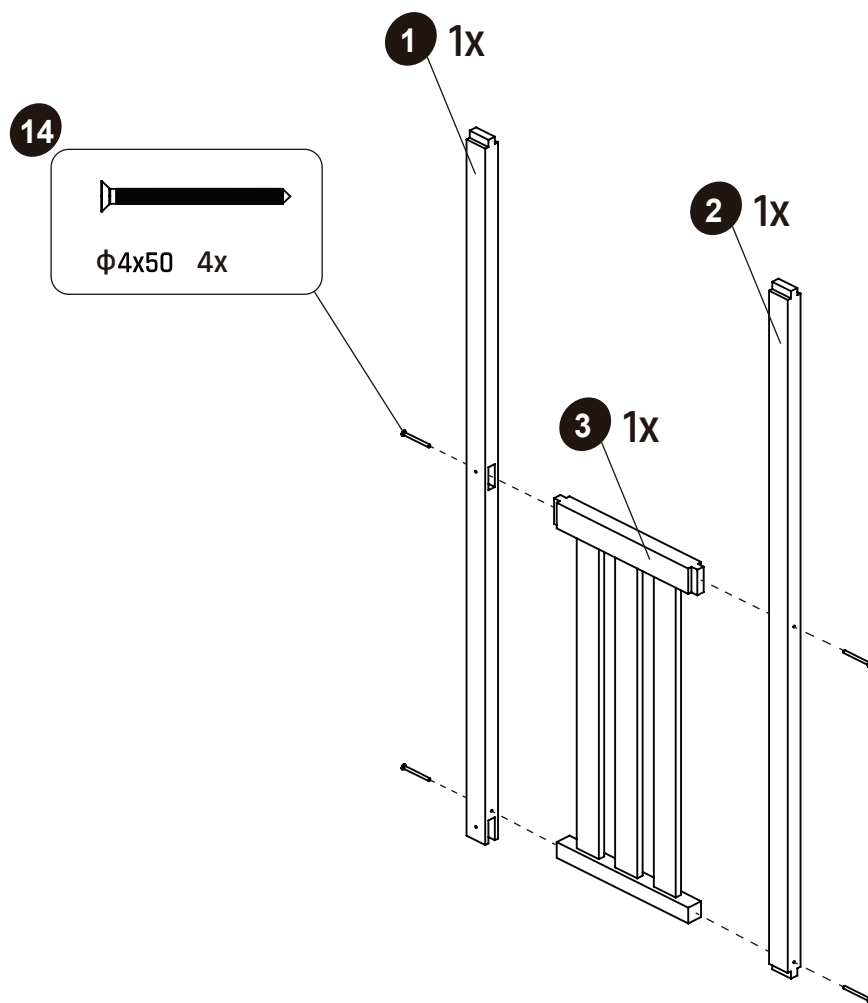
$\phi$ 3.5x30 2x



$\phi$ 3x25 6x

**1**

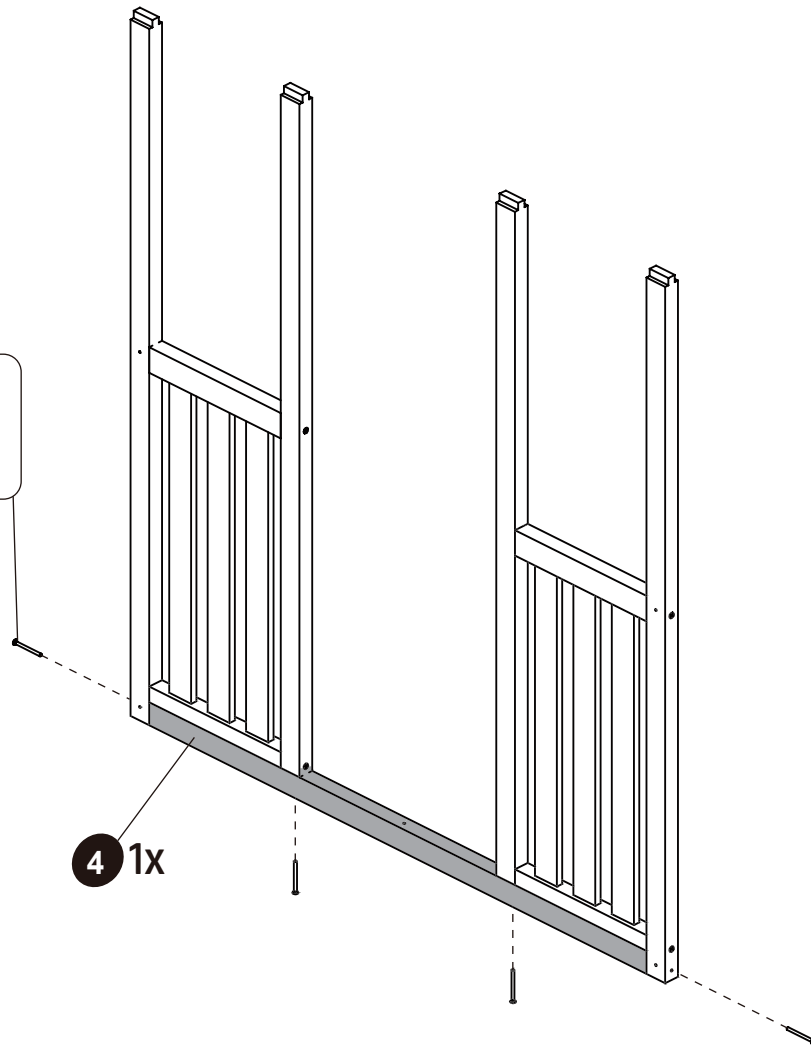
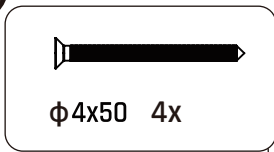
**X4**



**2**

**X2**

**14**



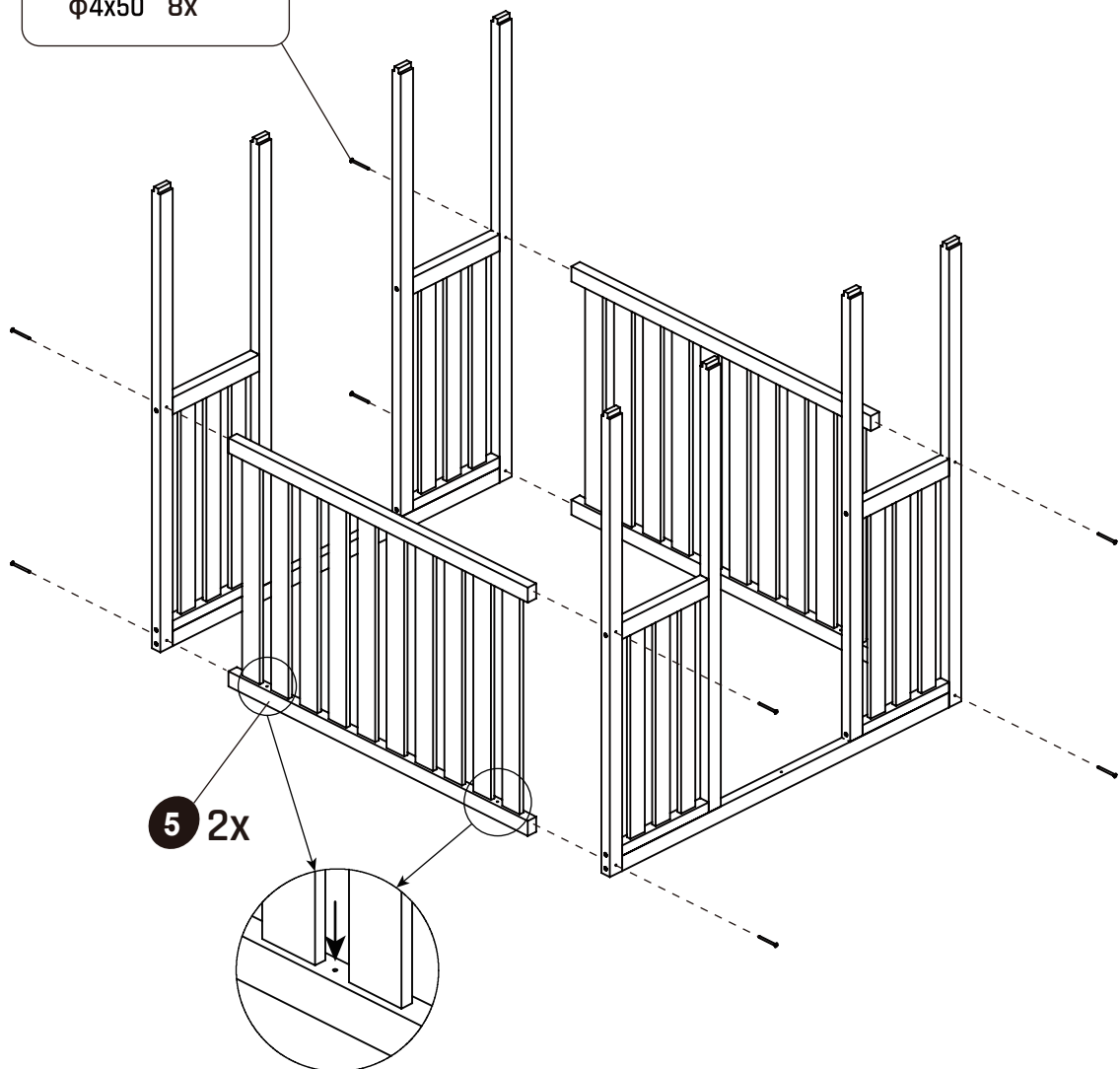
**4** 1x

**3**

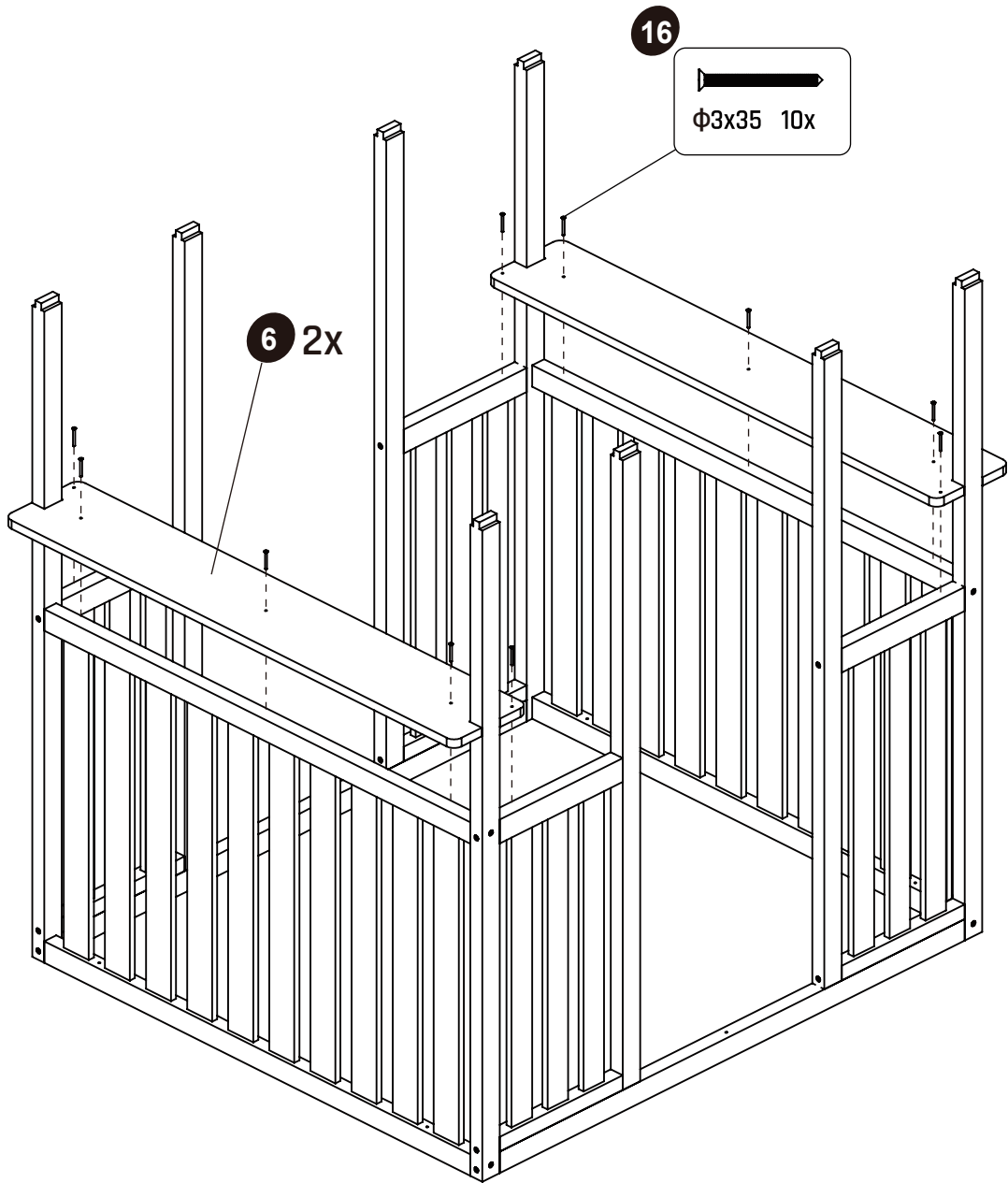
**14**



φ4x50 8x

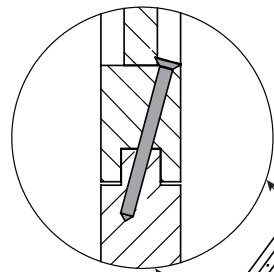


**4**





5

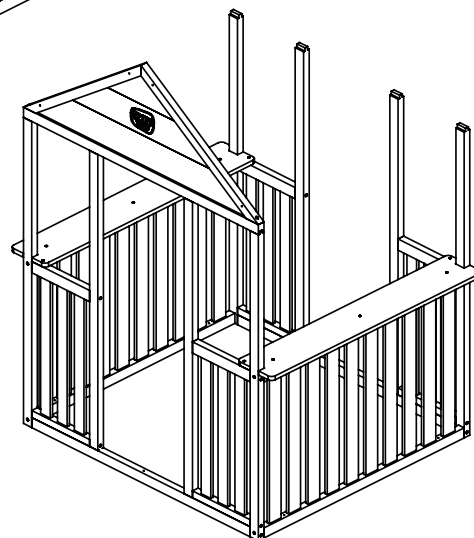
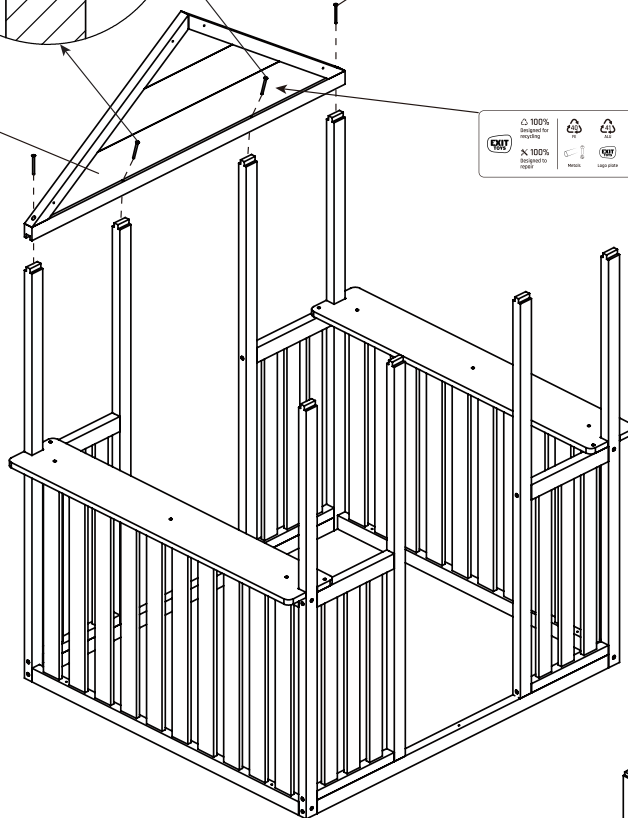


14



Φ4x50 4x

7 1x



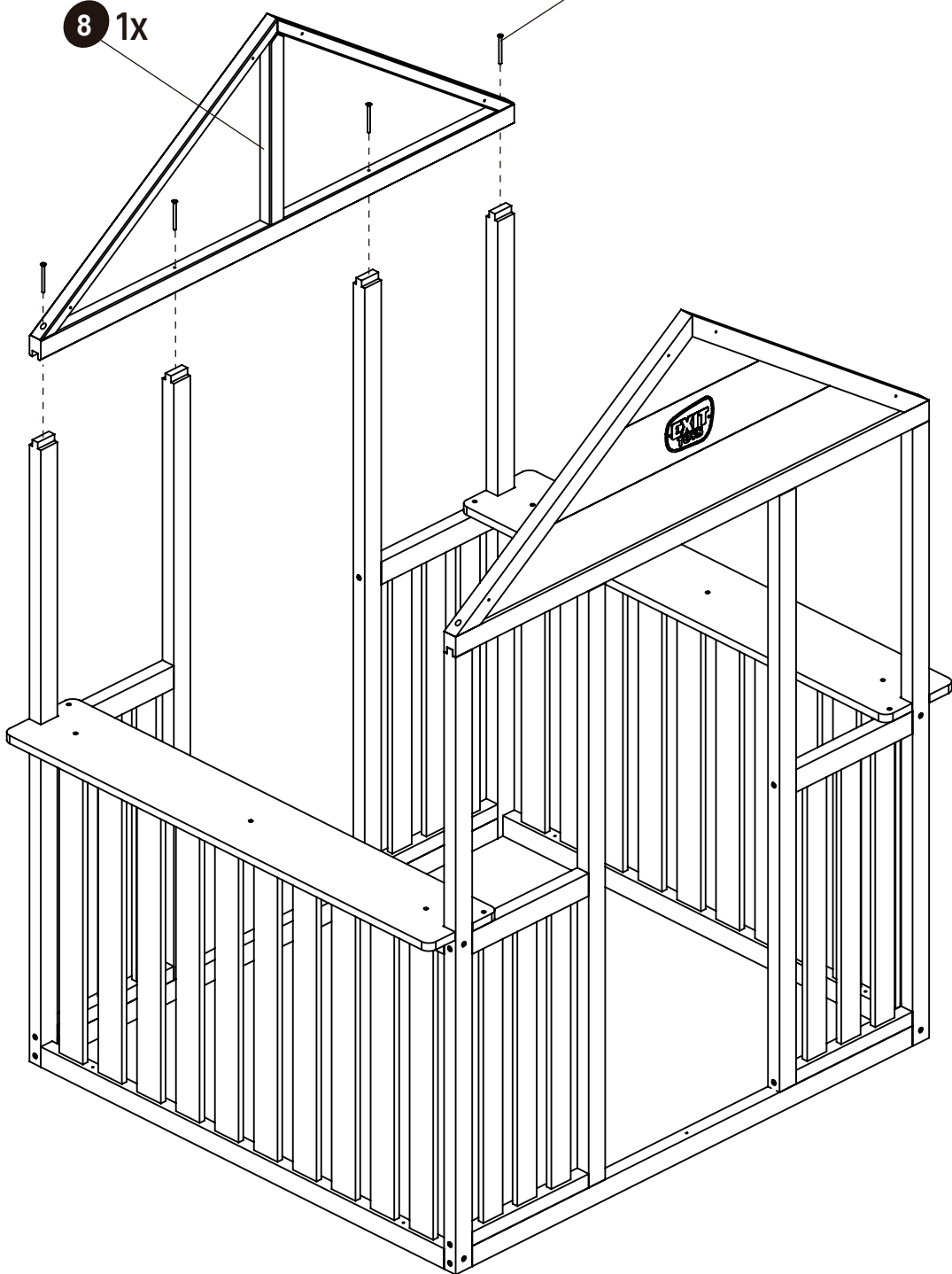
**6**

**14**

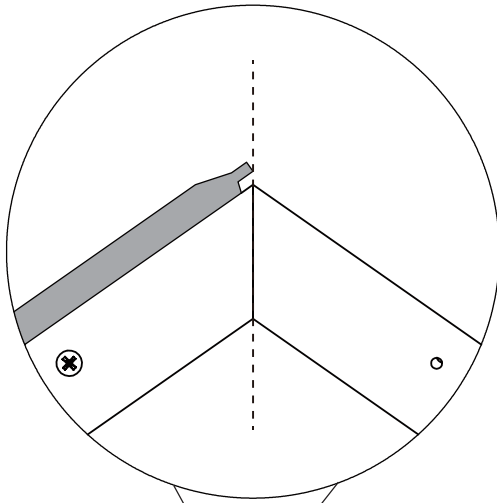


φ4x50 4x

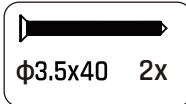
**8** 1x



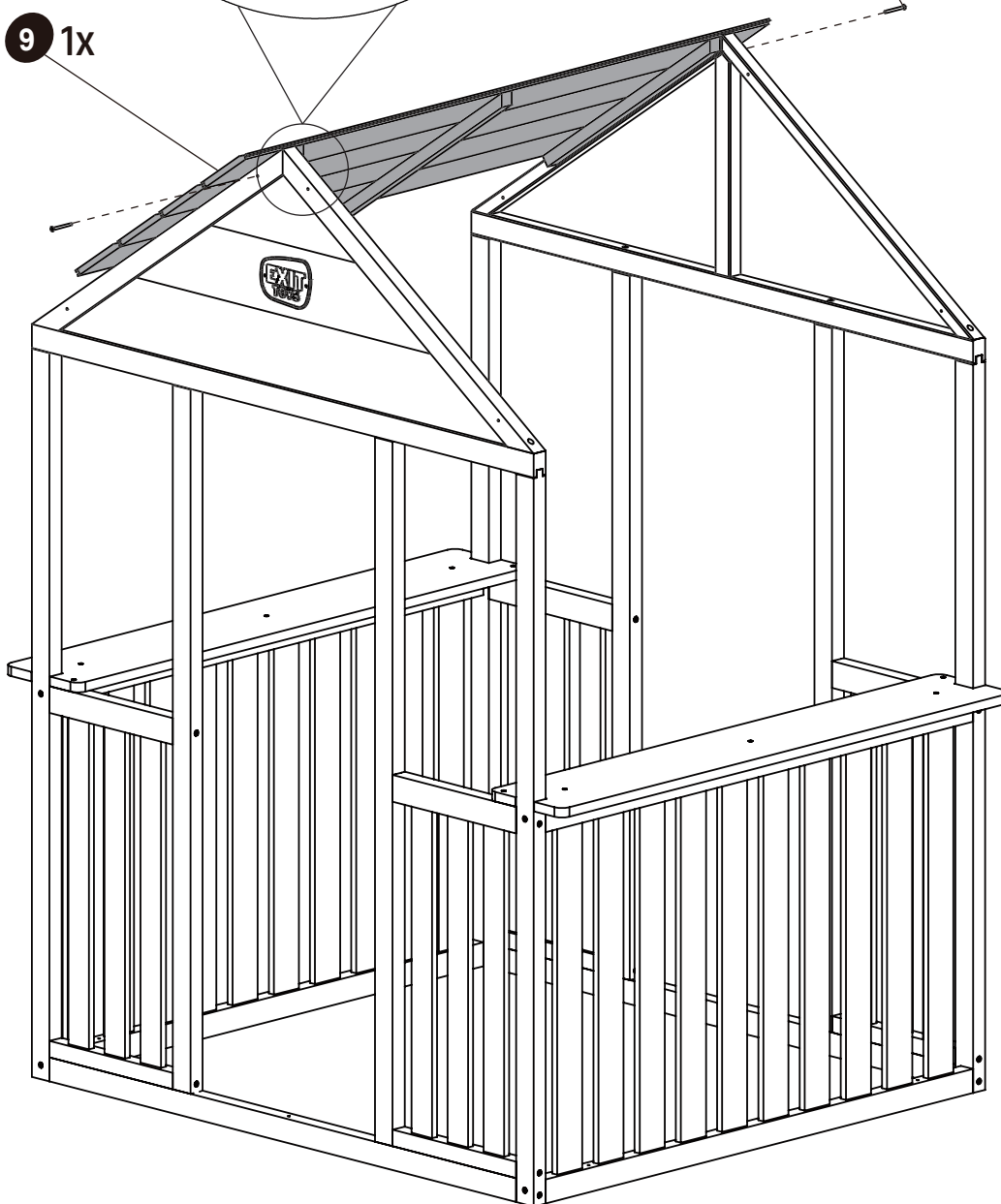
7



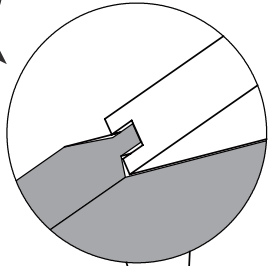
15



9 1x




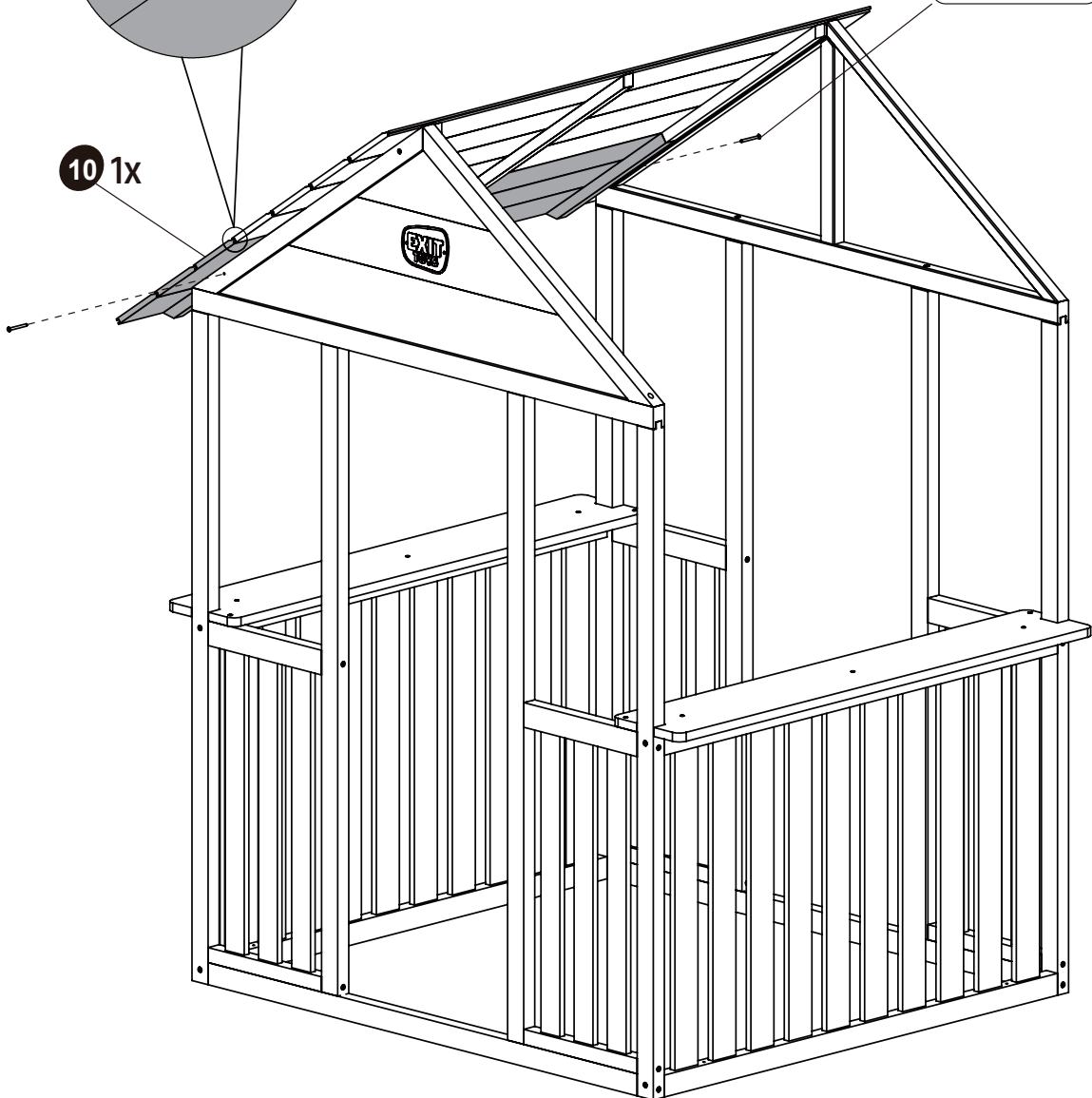
**8**



**10 1x**


**15**

  
 $\phi 3.5 \times 40$  2x



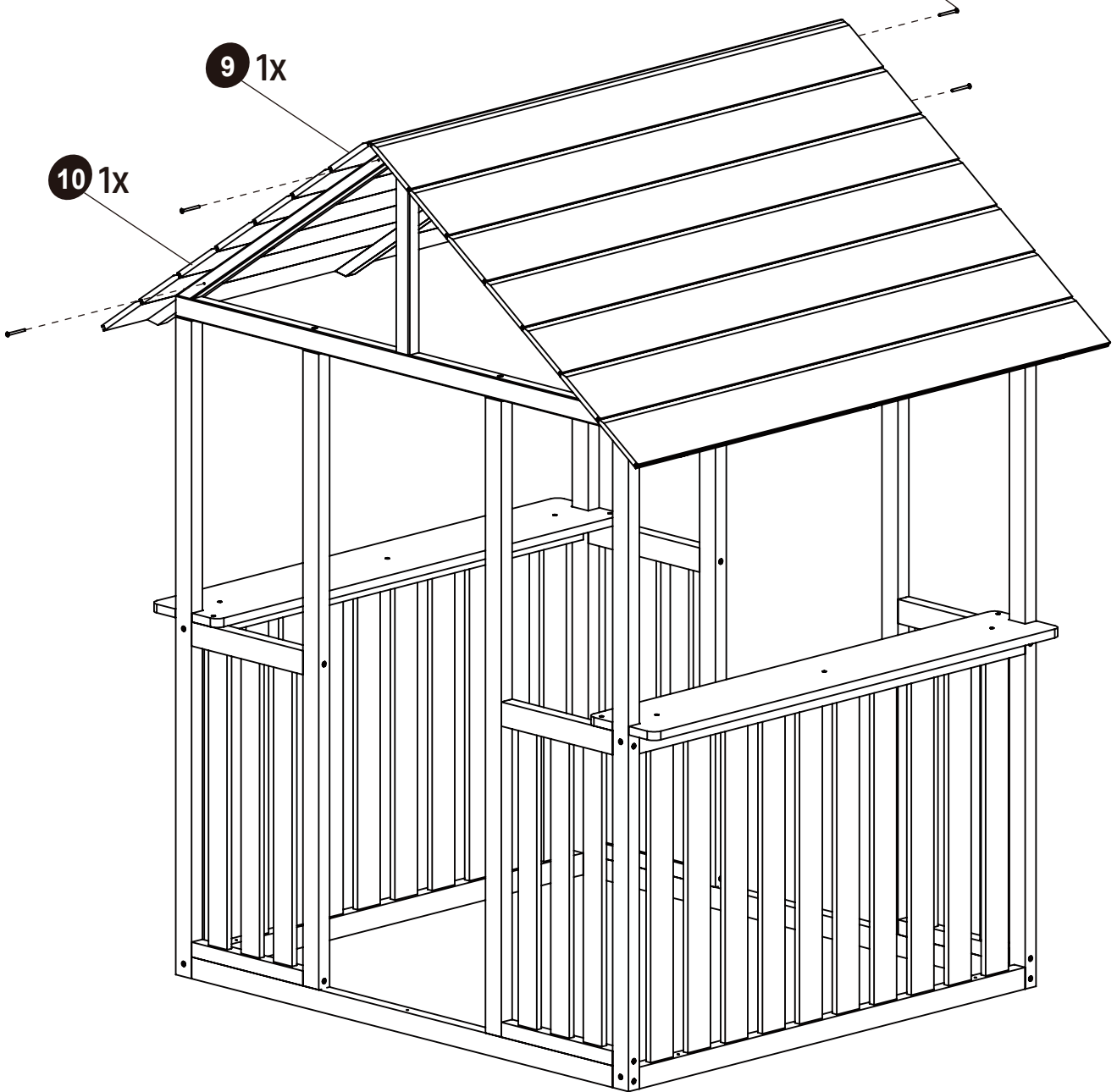
9

15

  
φ3.5x40 4x

9 1x


10 1x

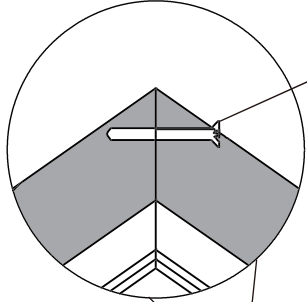


**10**

**10b**

**17**

  
 $\phi 3.5 \times 30$  1x



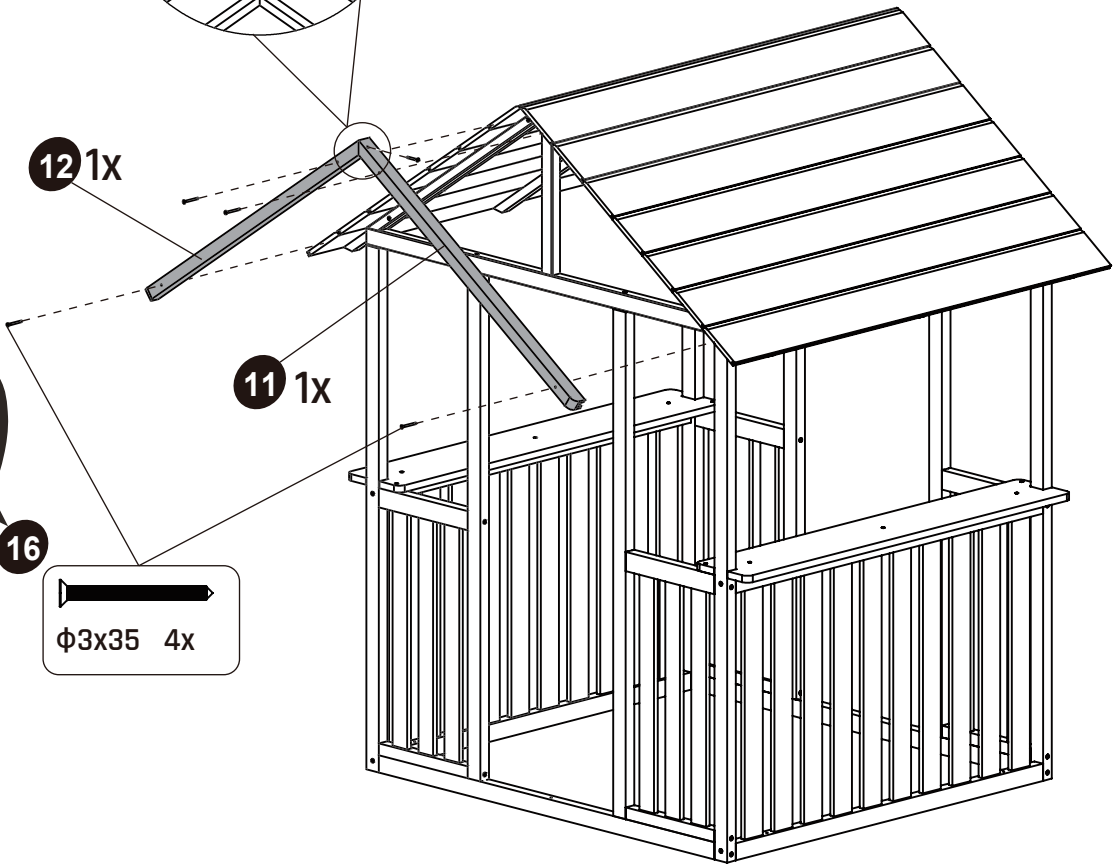
**12** 1x

**11** 1x

**10a**

**16**

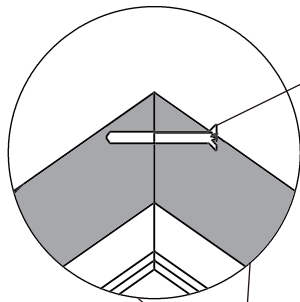
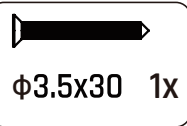
  
 $\phi 3 \times 35$  4x



**11**

**11b**

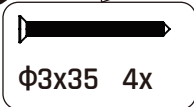
**17**



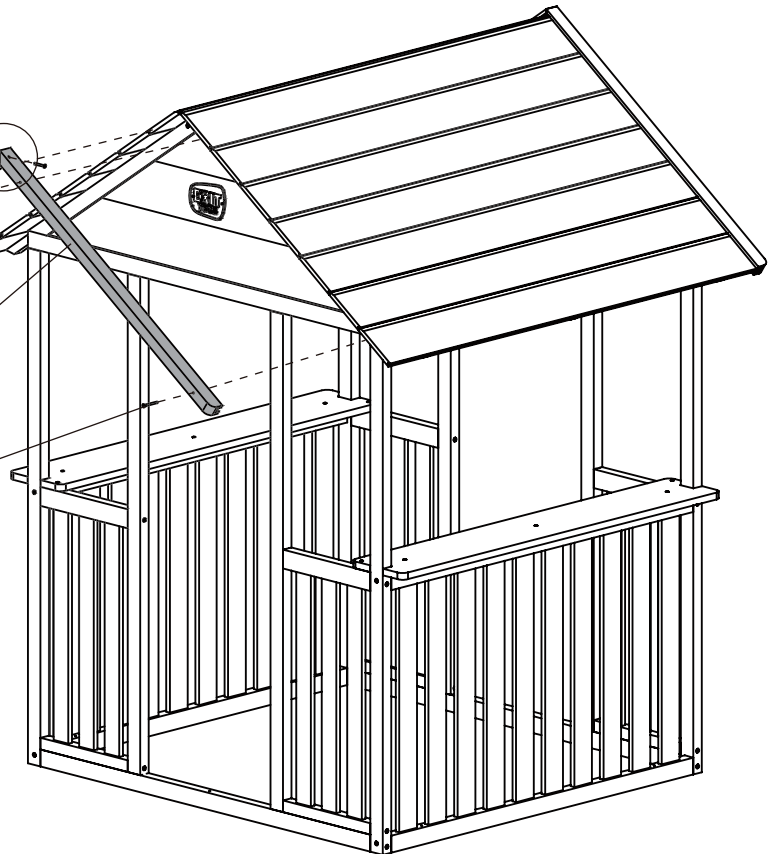
**12** 1x

**11a**

**16**




**11** 1x

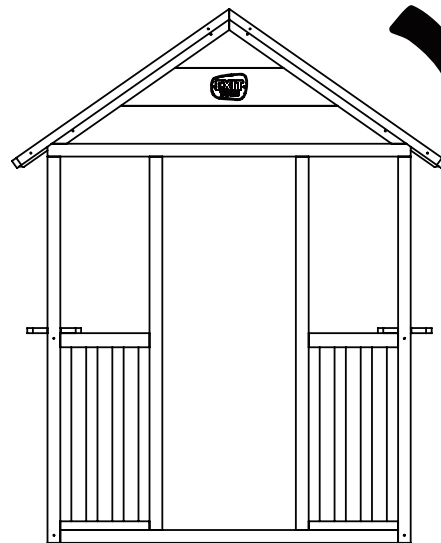
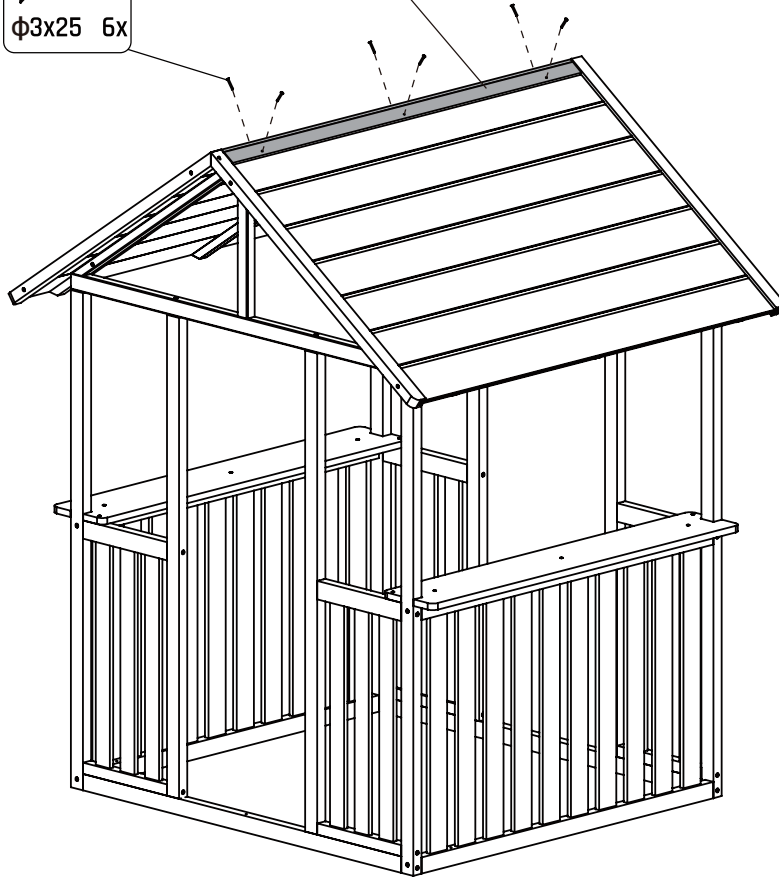


**12**

**18**

  
φ3x25 6x

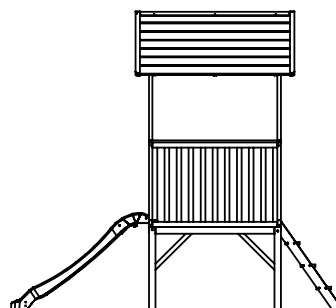
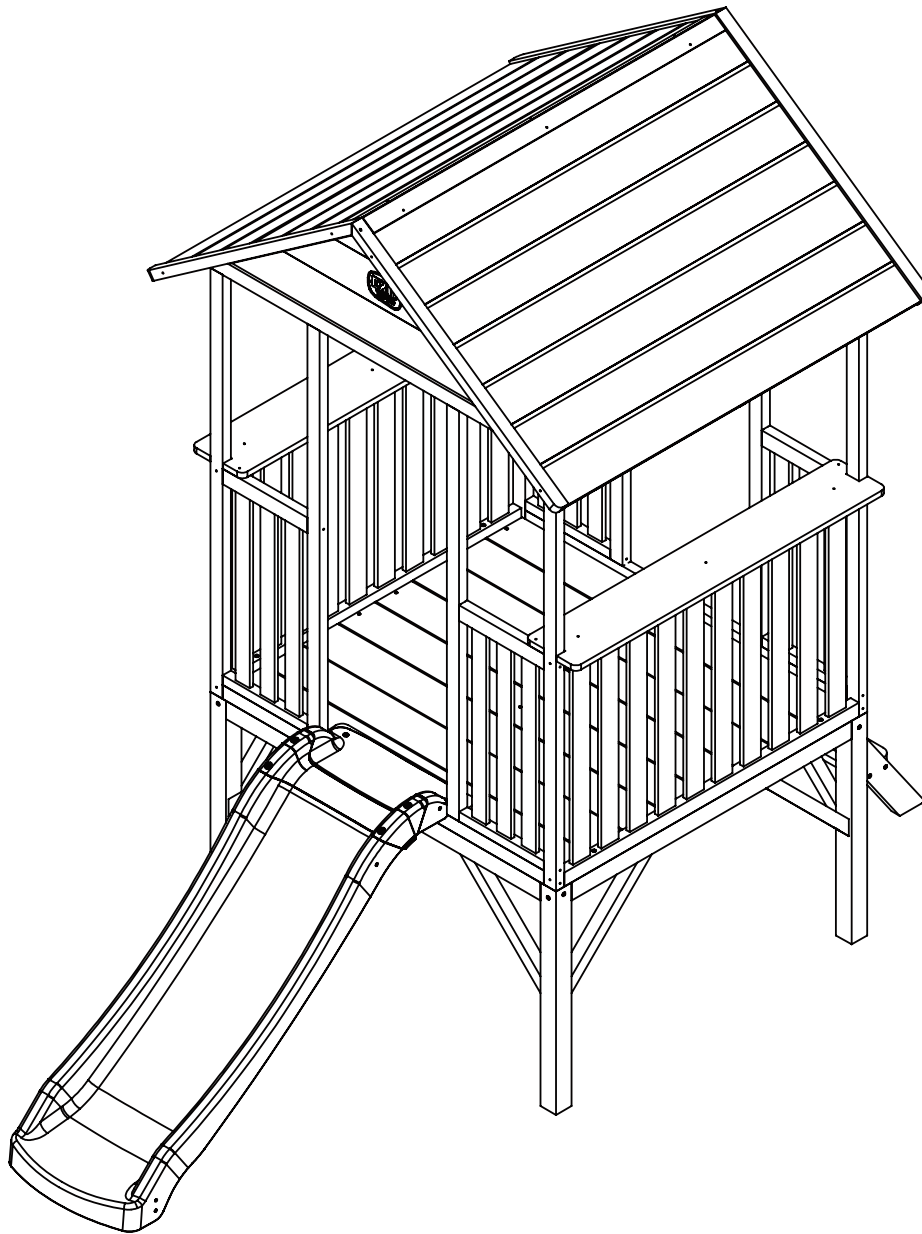
**13** 1x

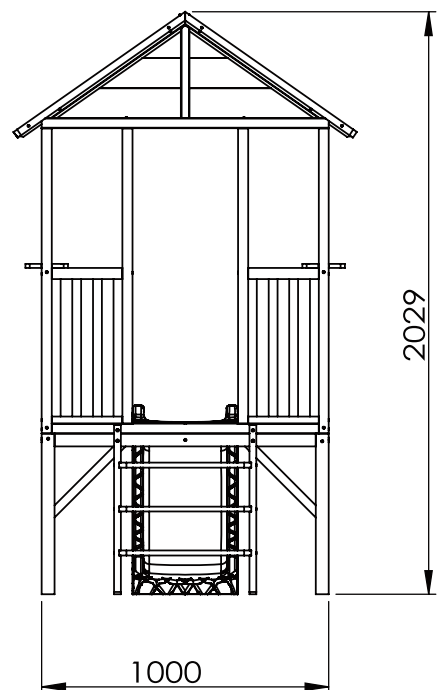
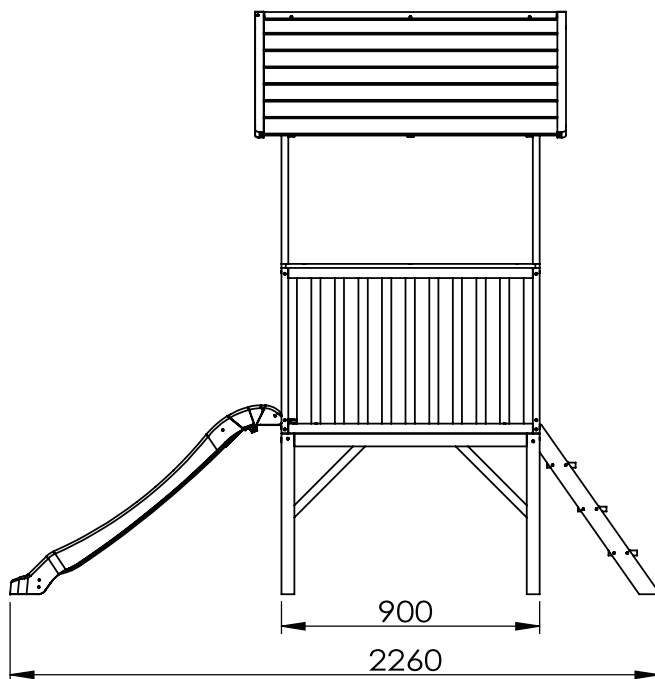
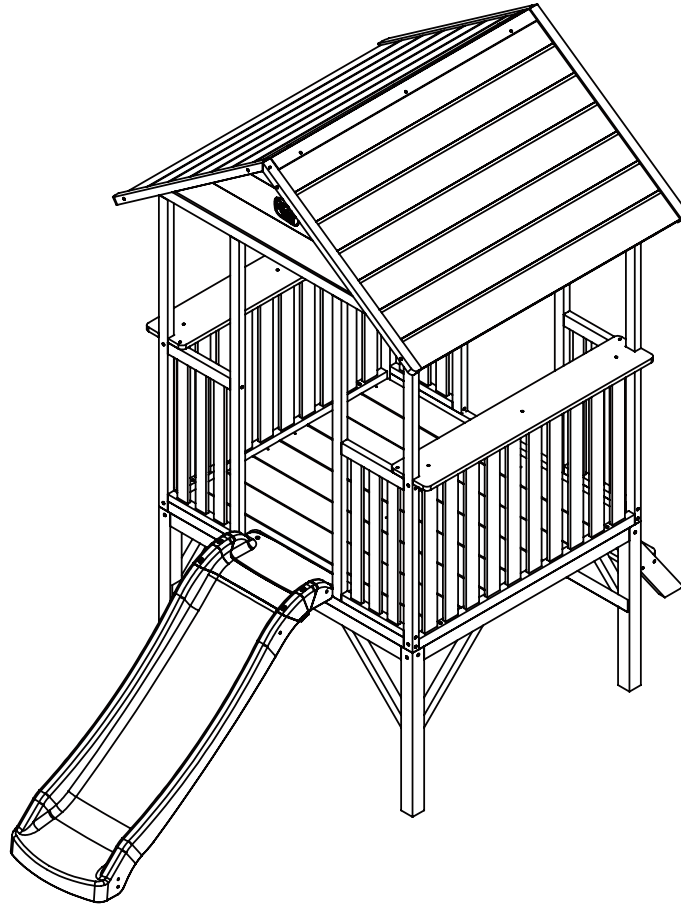


**Panorama 100**

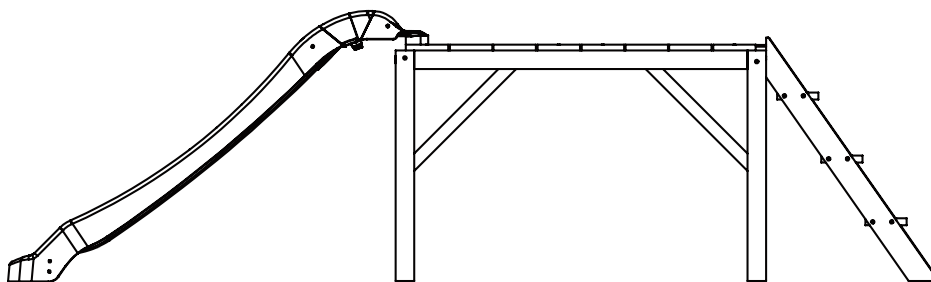
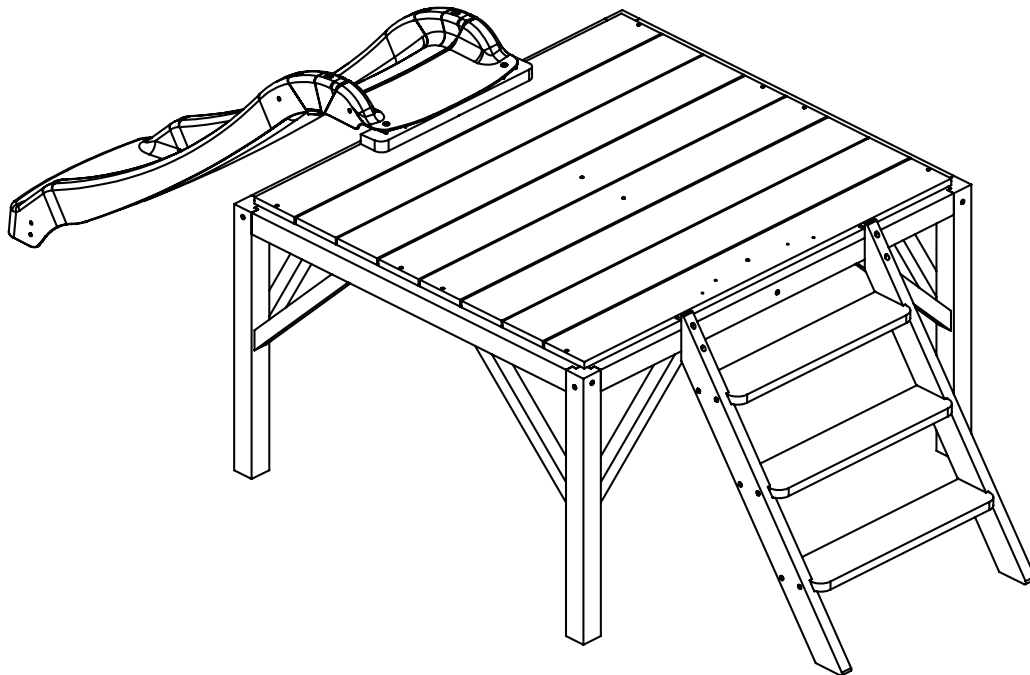


# Panorama 300

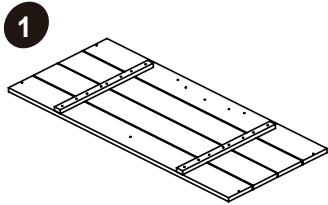




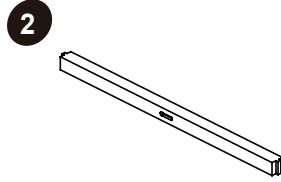
## Platform 300



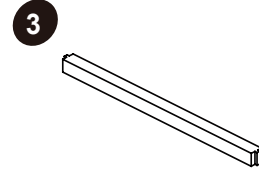
**13kg**



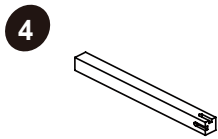
68.70.40.01 | 2x



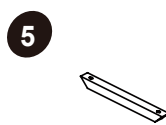
68.70.40.02 | 2x



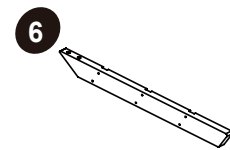
68.70.40.03 | 3x



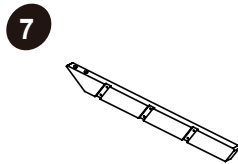
68.70.30.01 | 4x



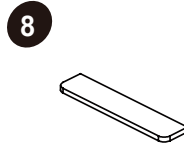
68.70.40.04 | 8x



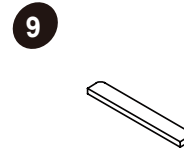
68.70.30.02 | 1x



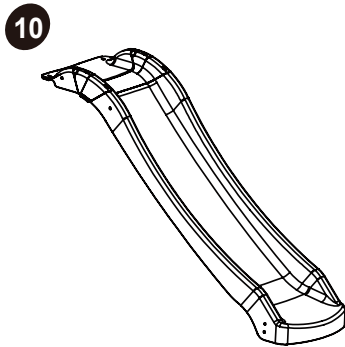
68.70.30.03 | 1x \*



68.70.40.05 | 3x



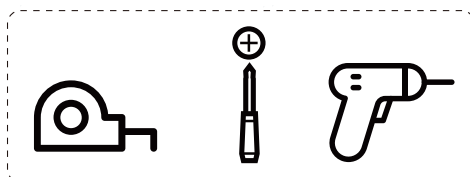
68.70.30.04 | 1x



69.53.10.10 | 1x

68.70.30.80

11		12	
	φ4x70 12x		φ4x50 6x
13		14	
	φ3.5x40 12x		φ3x35 30x
15		16	
	φ3.5x30 4x		φ4.5x25 2x



\*

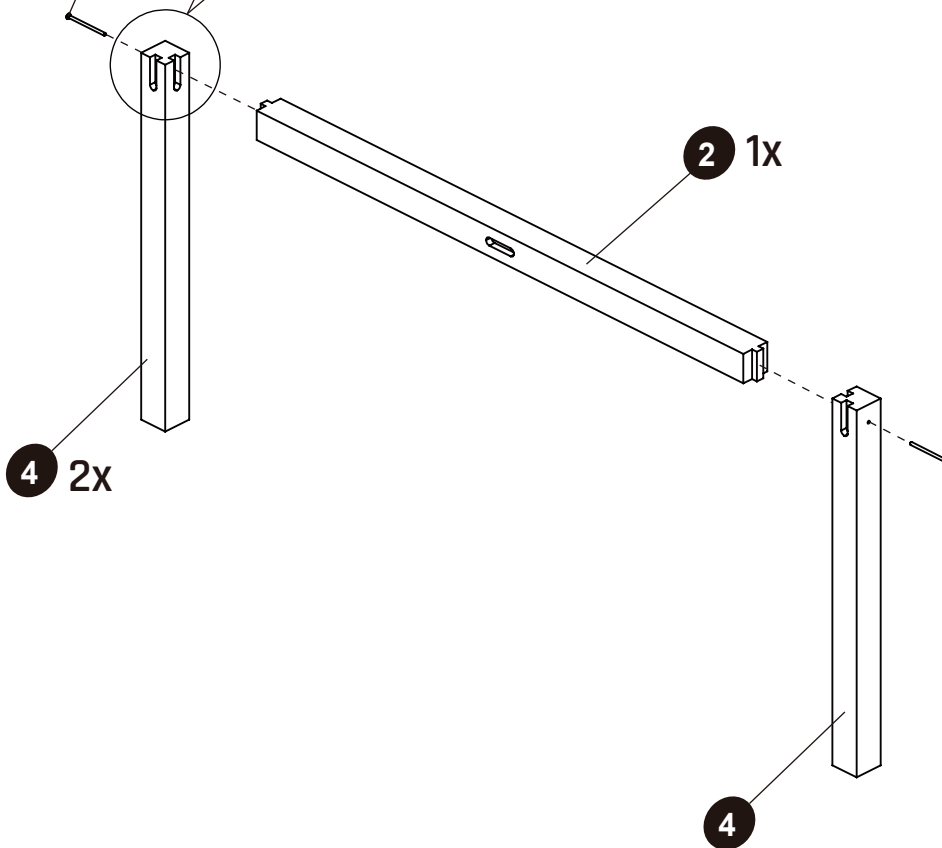
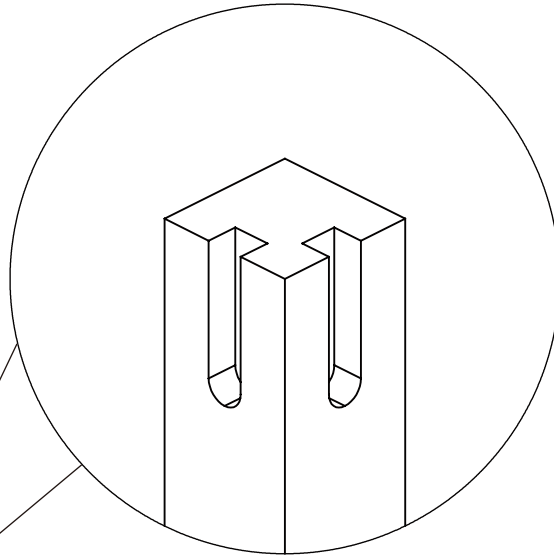
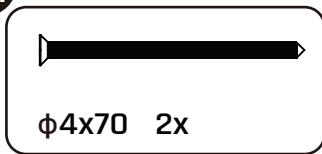
BOX REFERENCE:	XX.XX
PRODUCTION ID:	XXX XXX



**1**

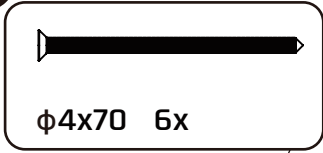
**x2**

**11**

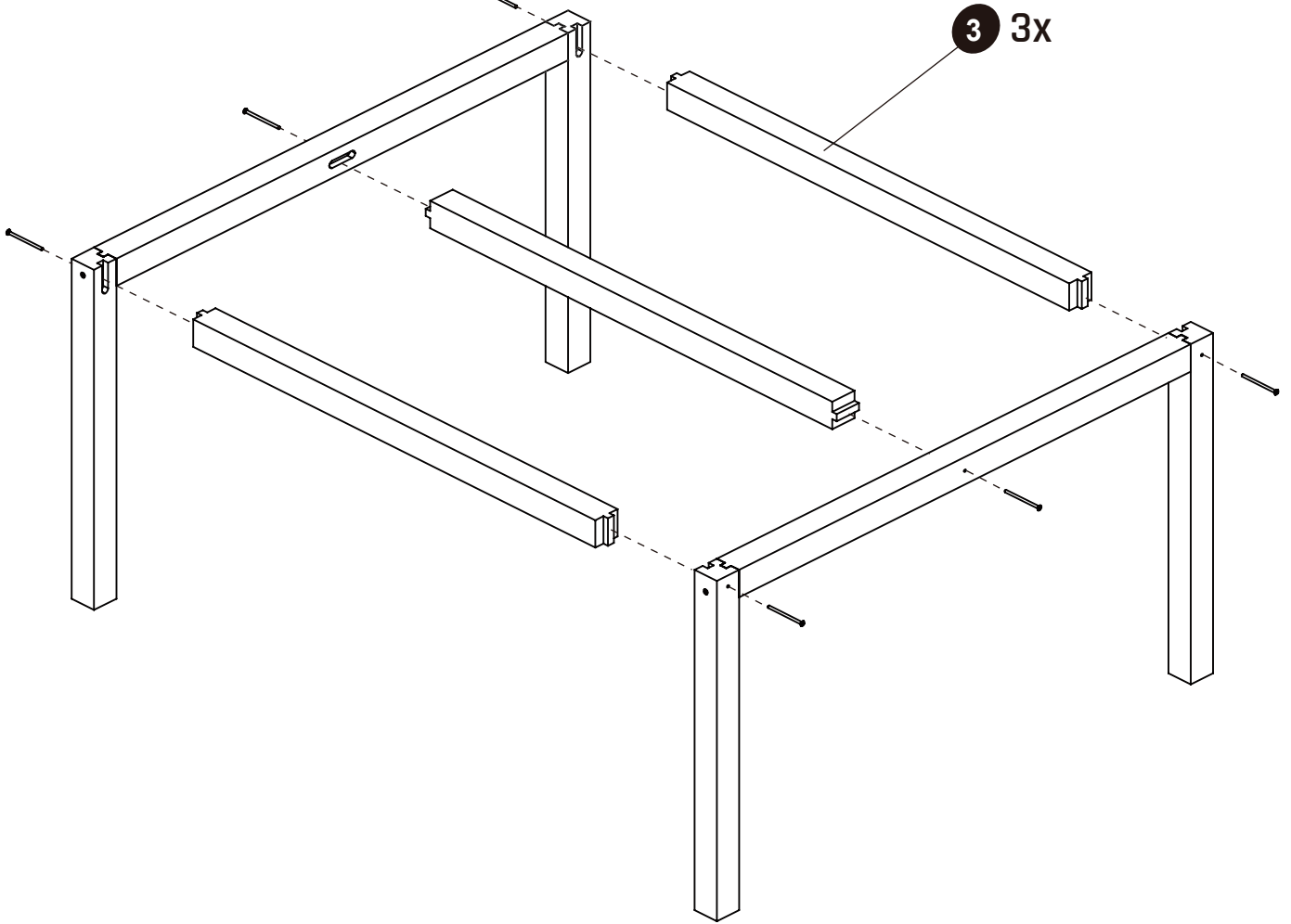


**2**

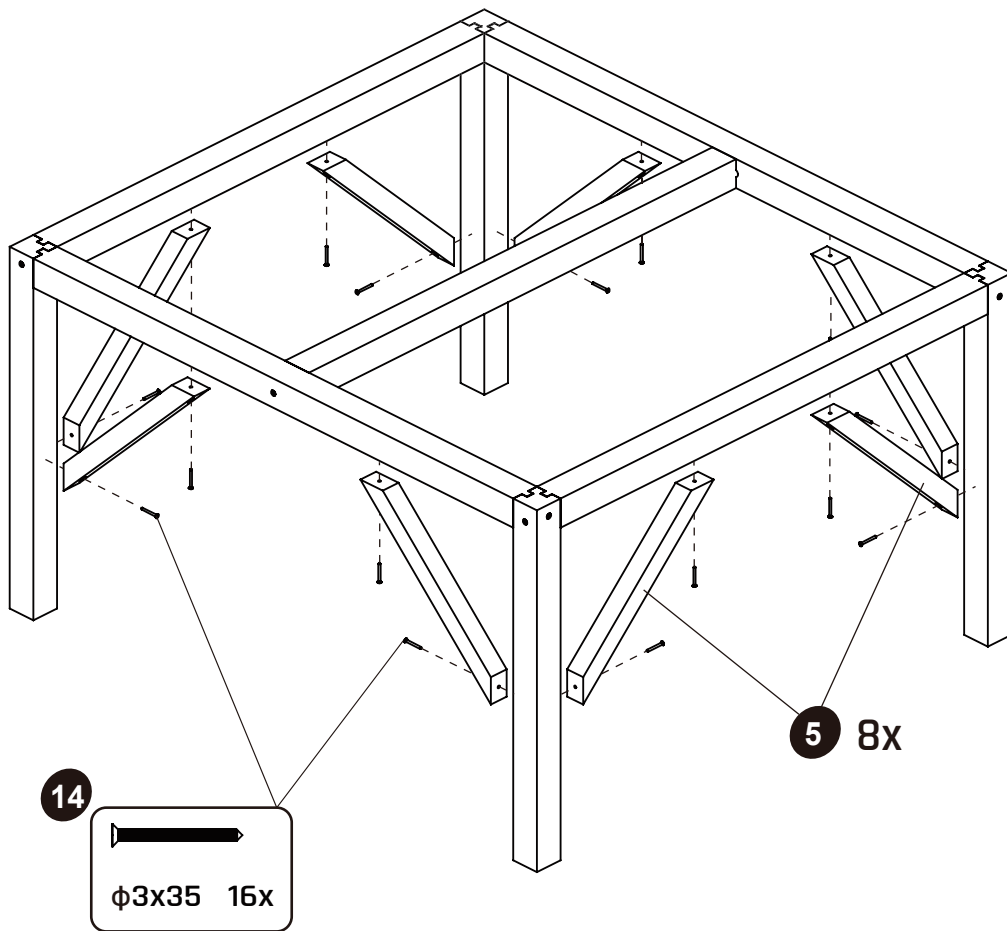
**11**



**3 3x**



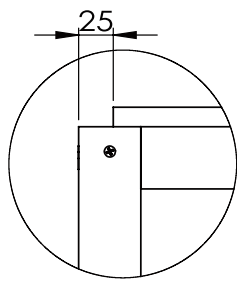
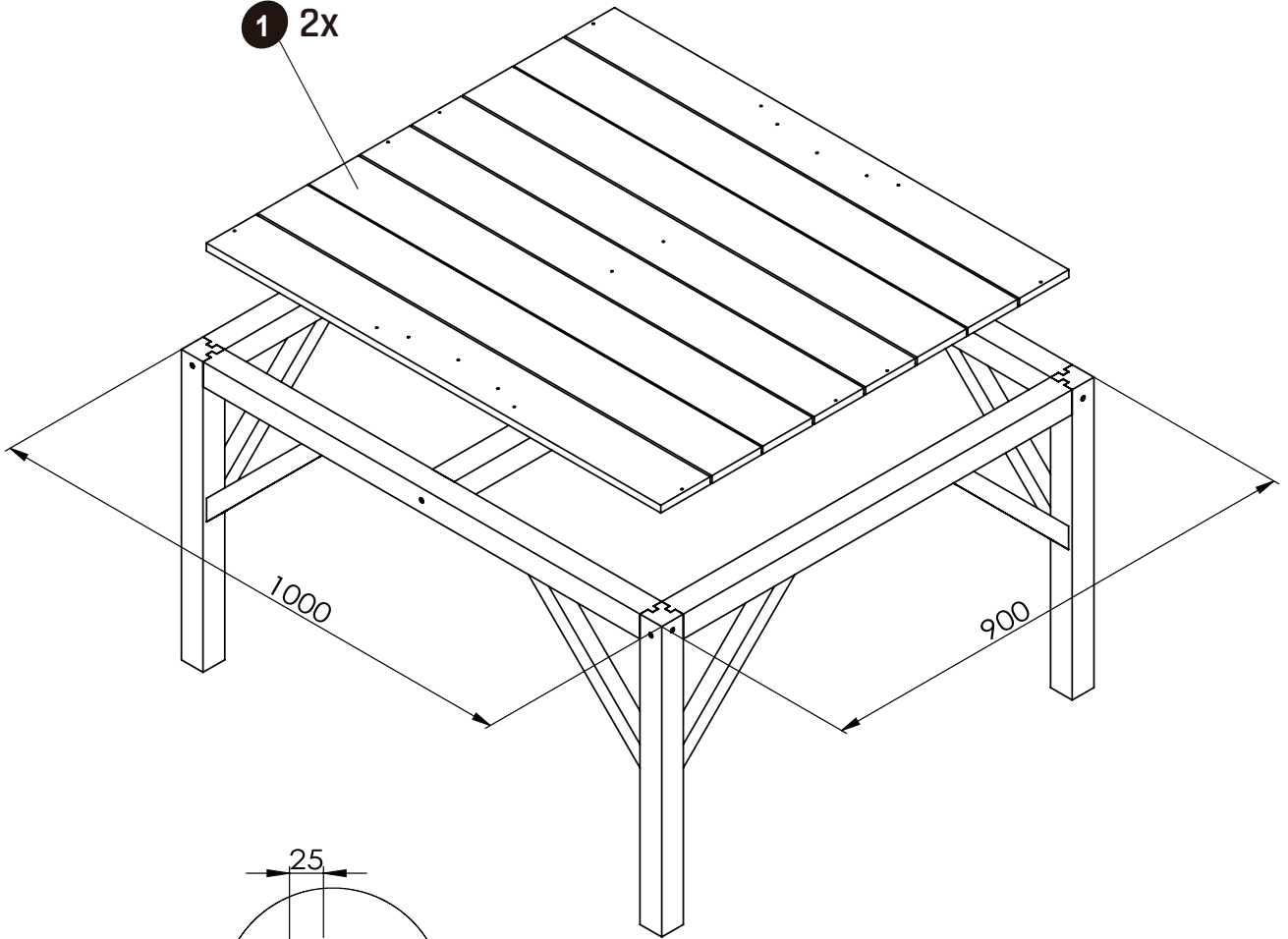
3



**4**



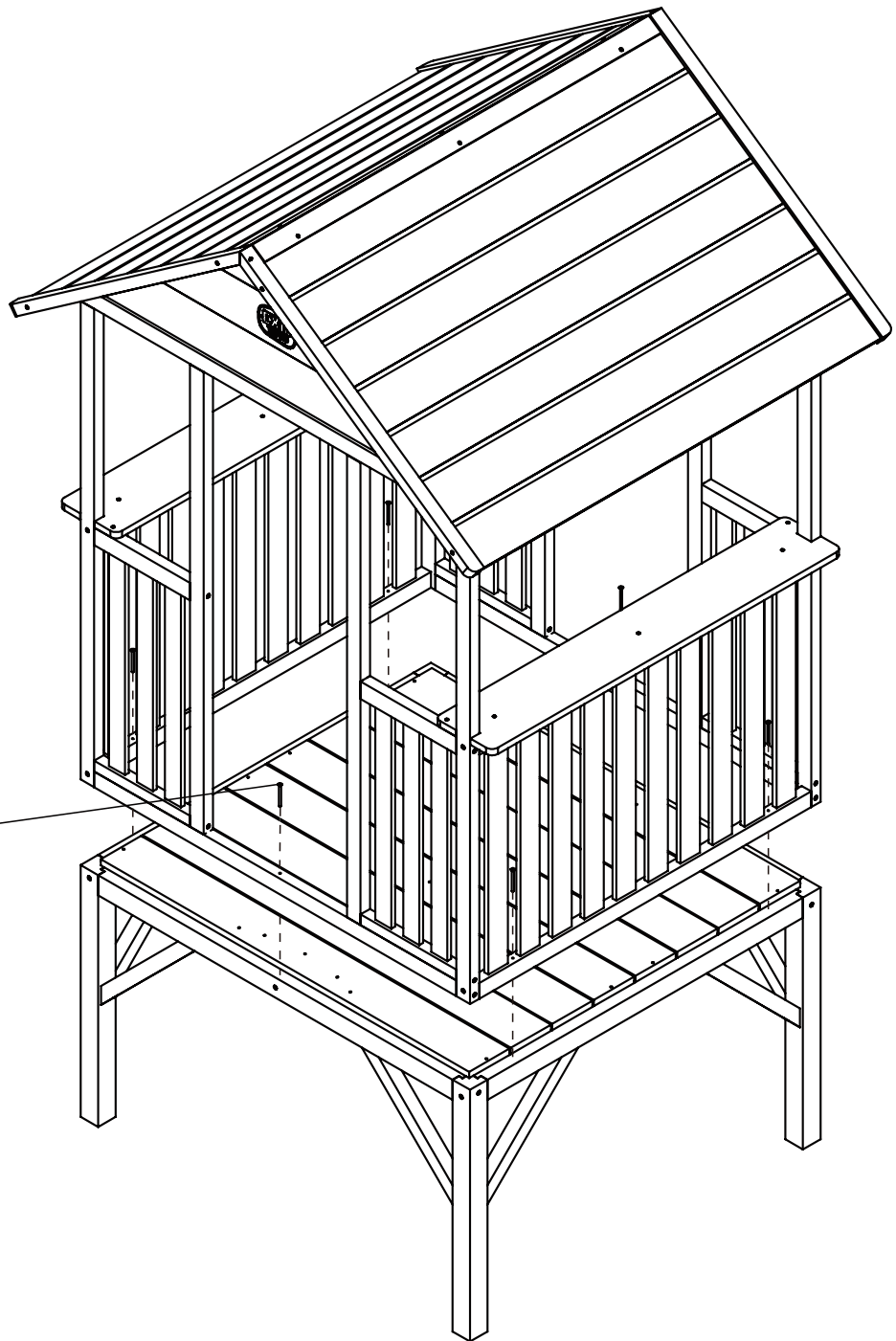
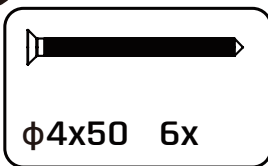
**1** 2x



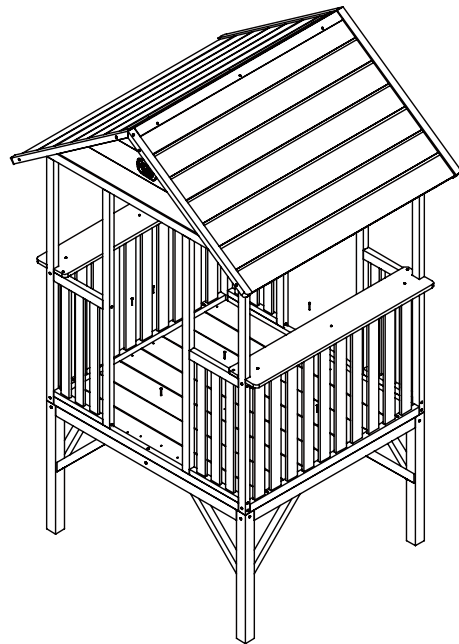
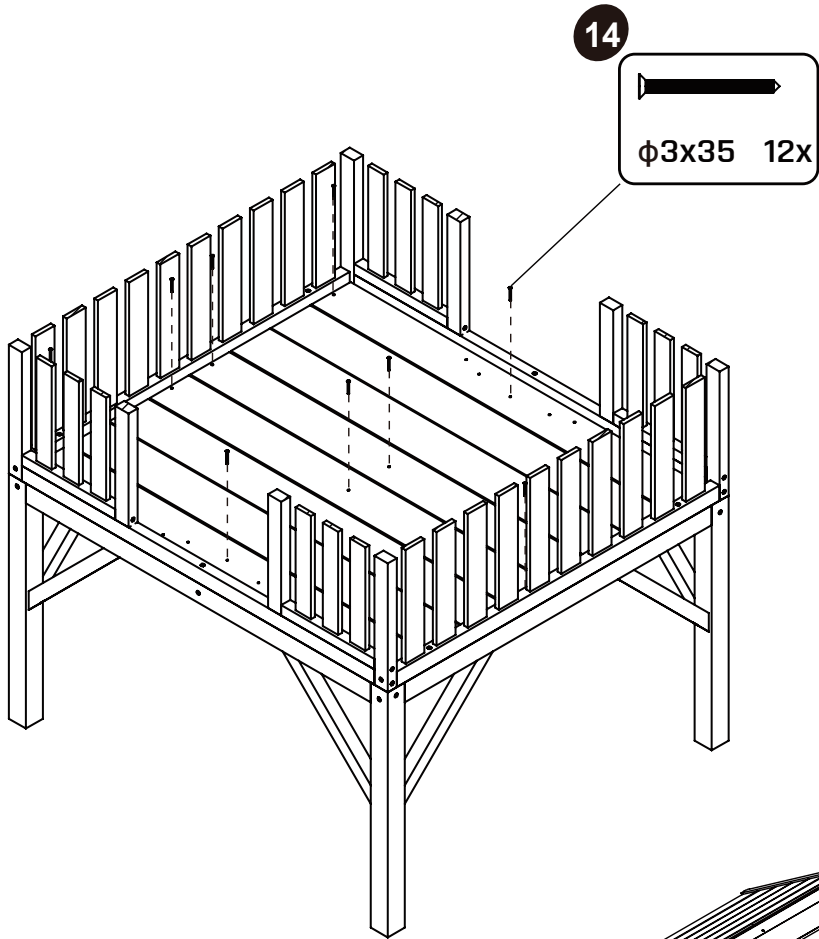


5

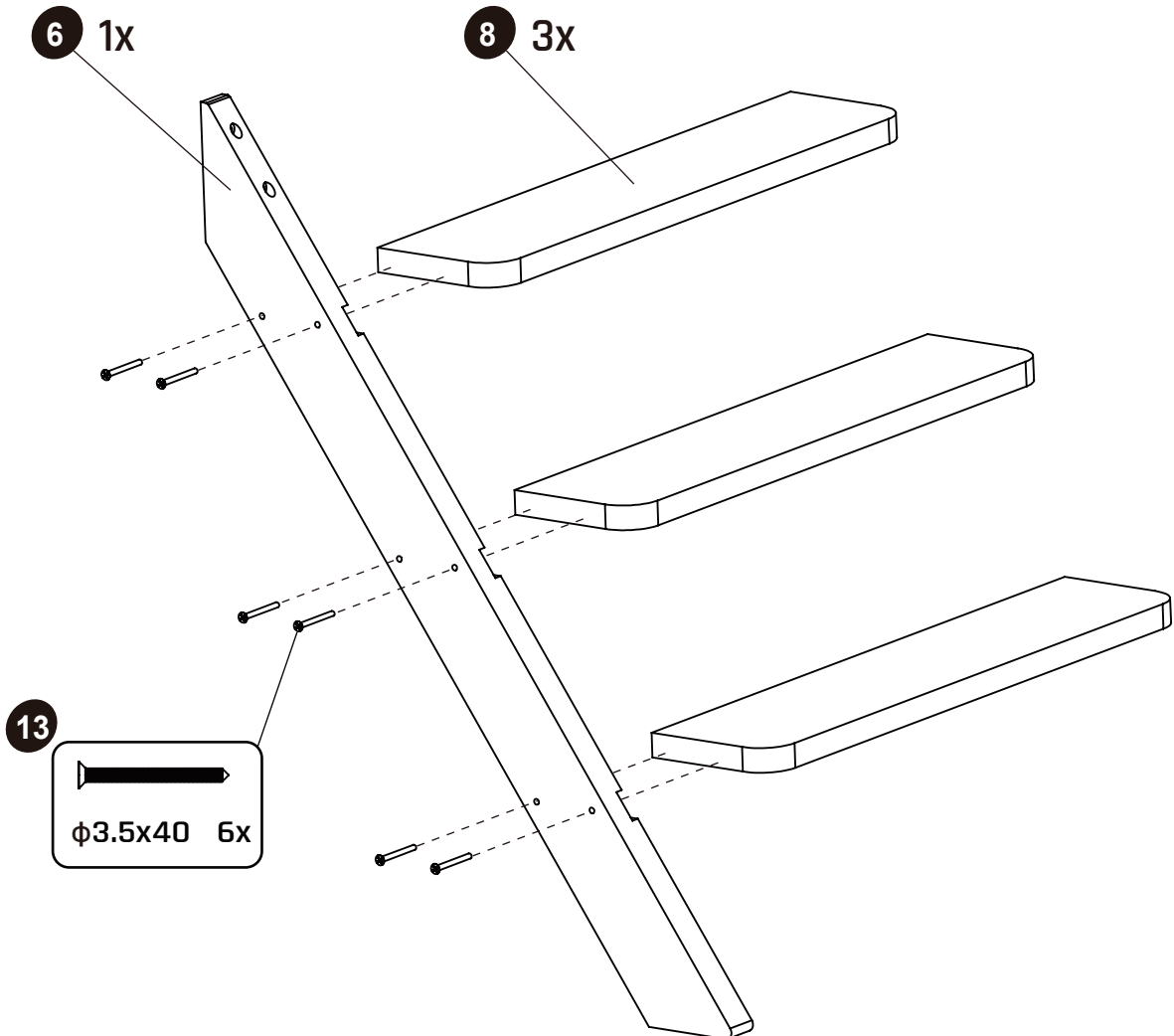
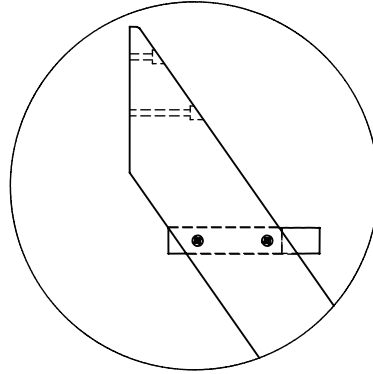
12



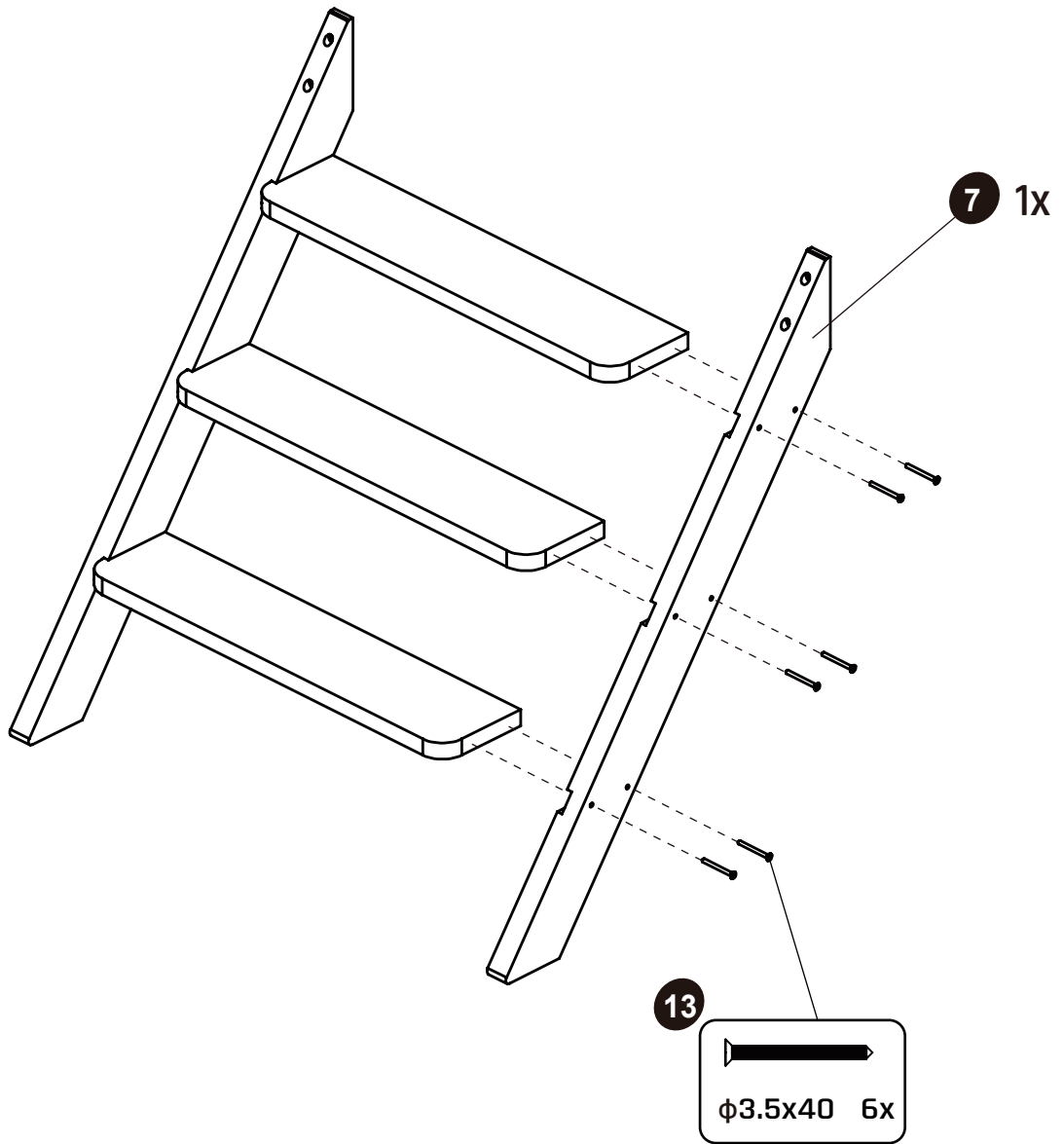
**6**



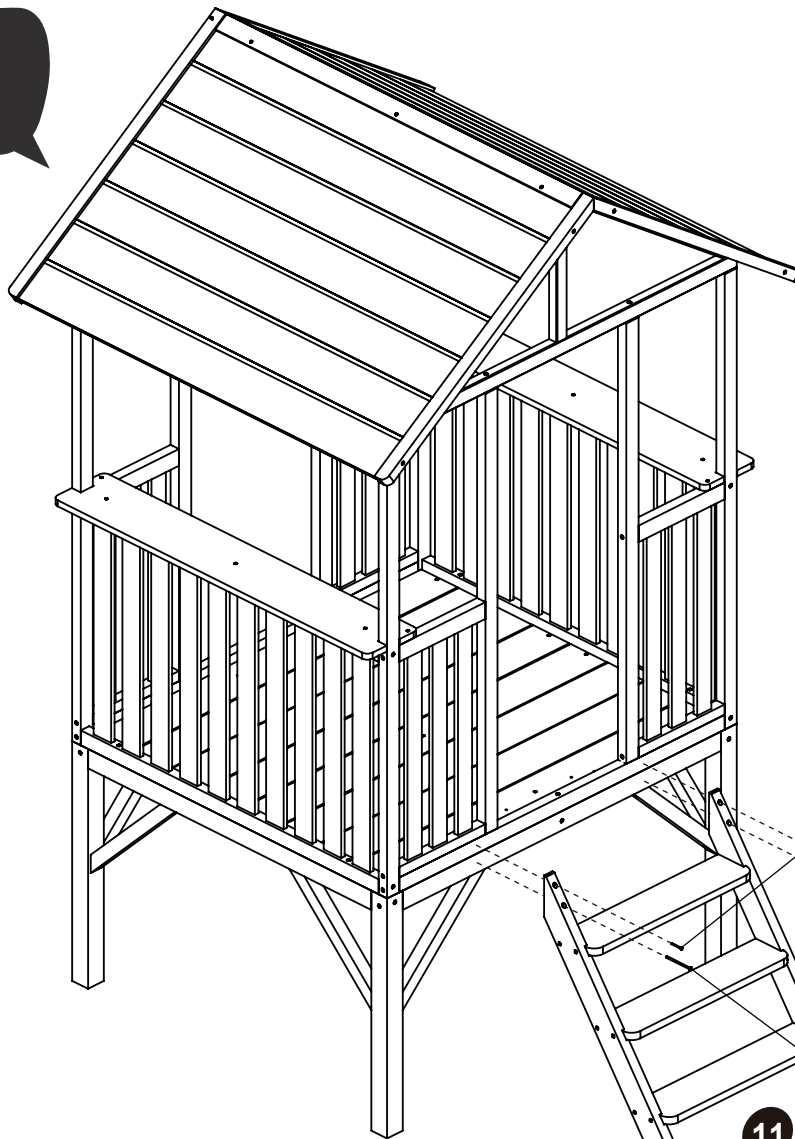
**7**



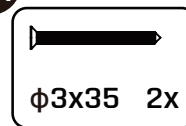
**8**



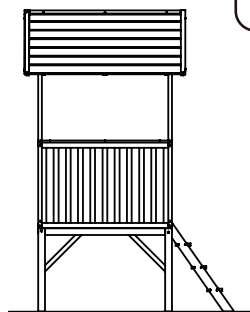
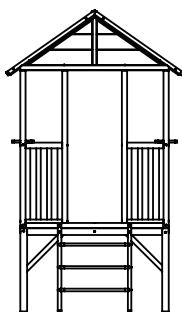
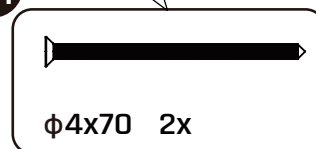
9

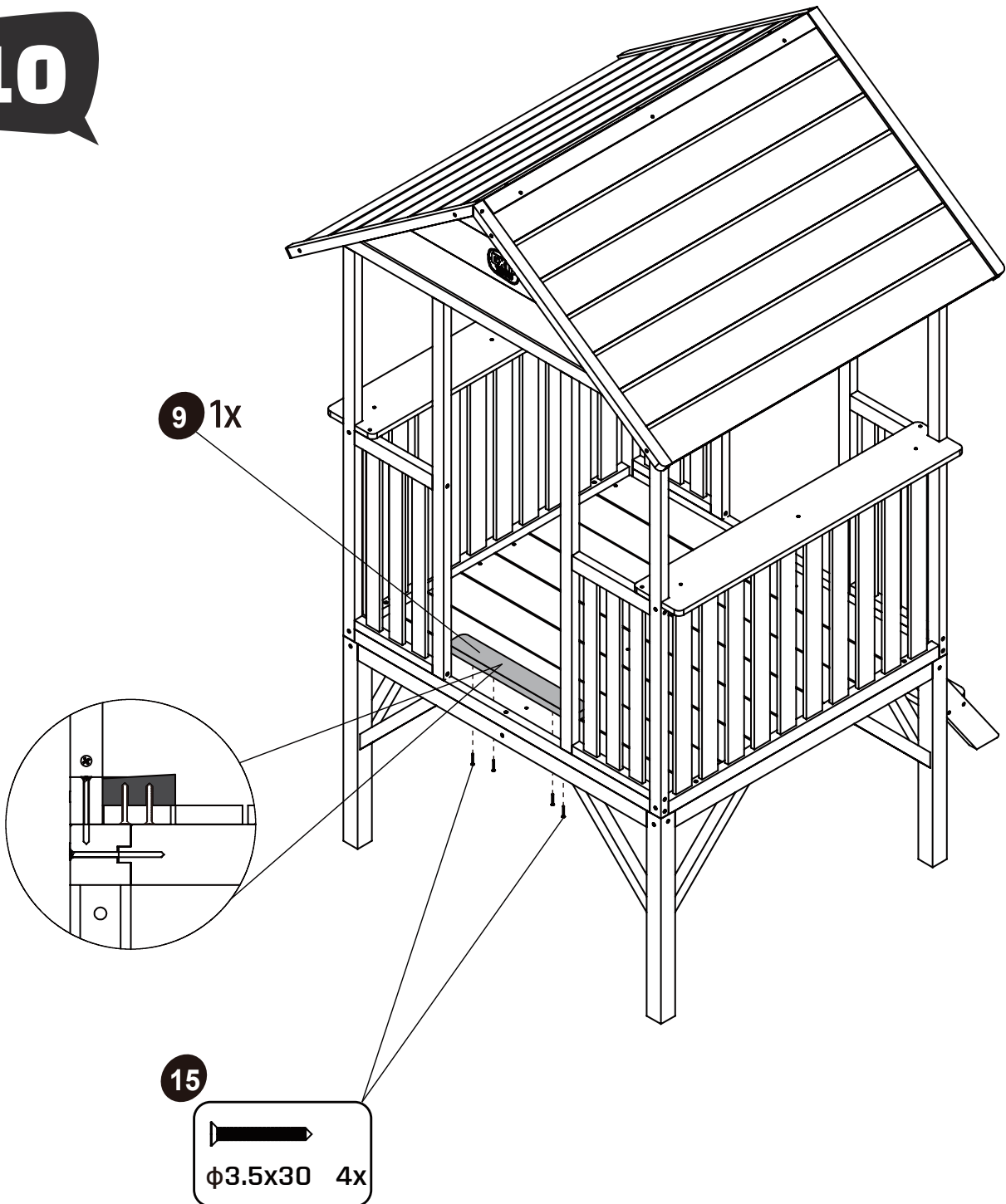


14

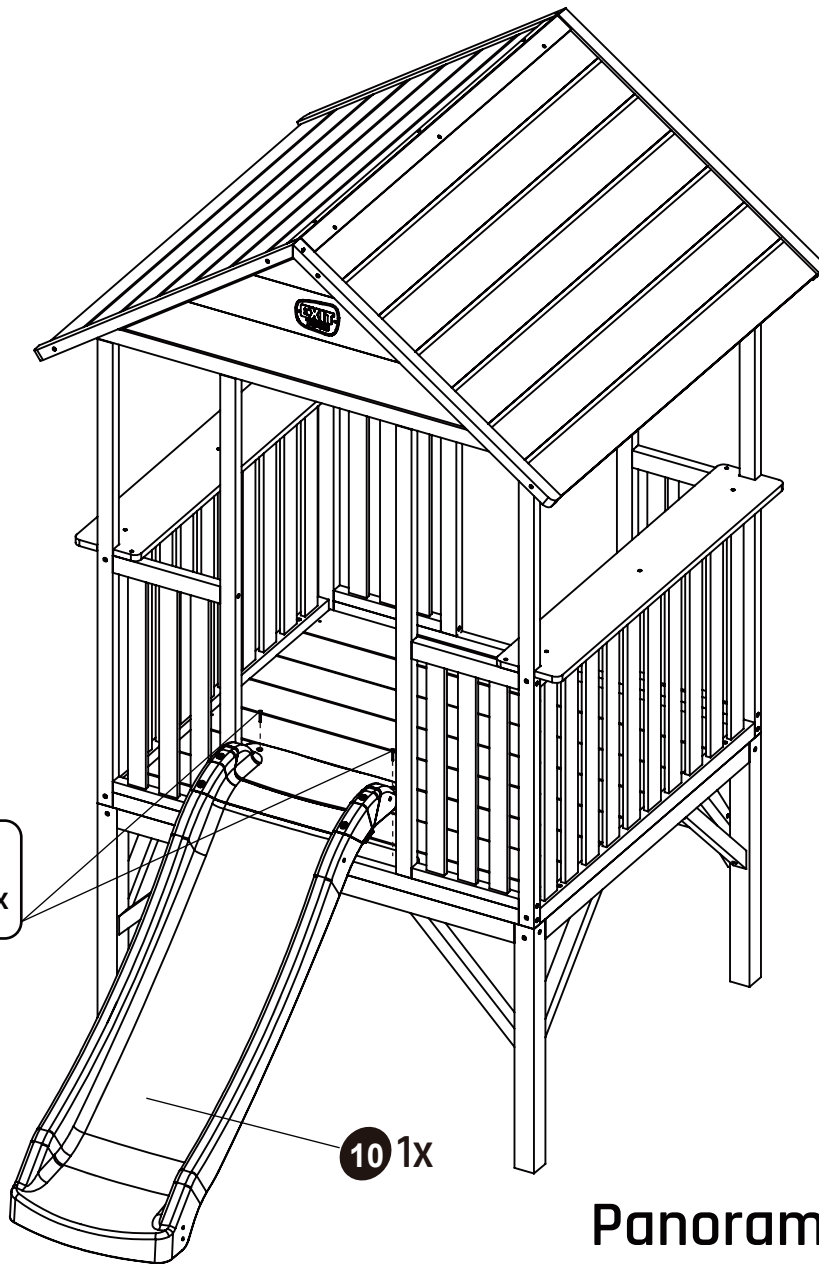


11

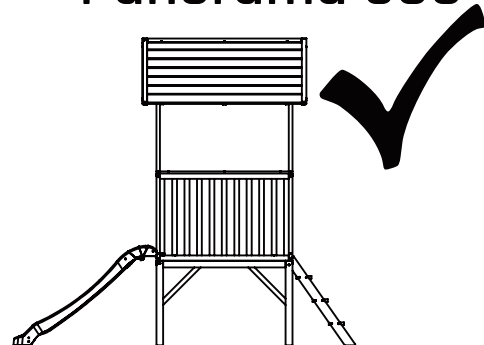




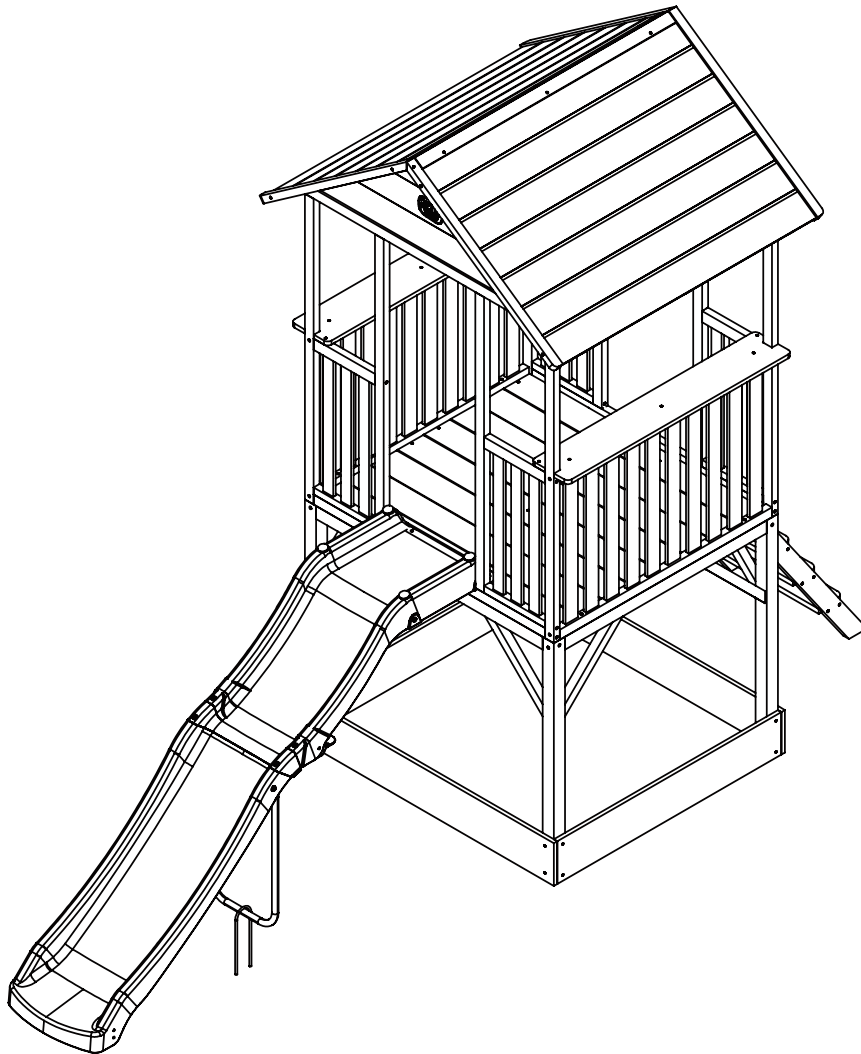
**11**



**Panorama 300**

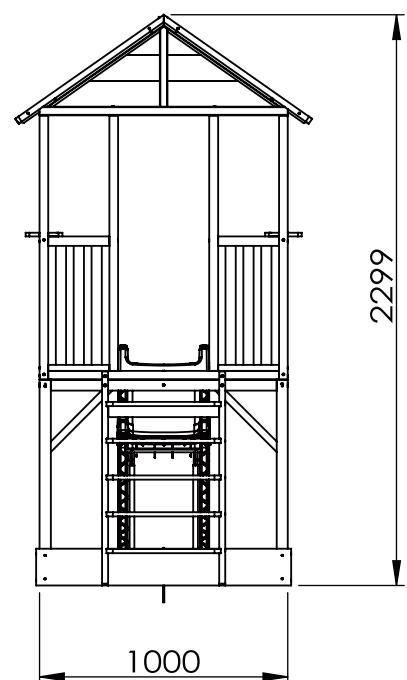
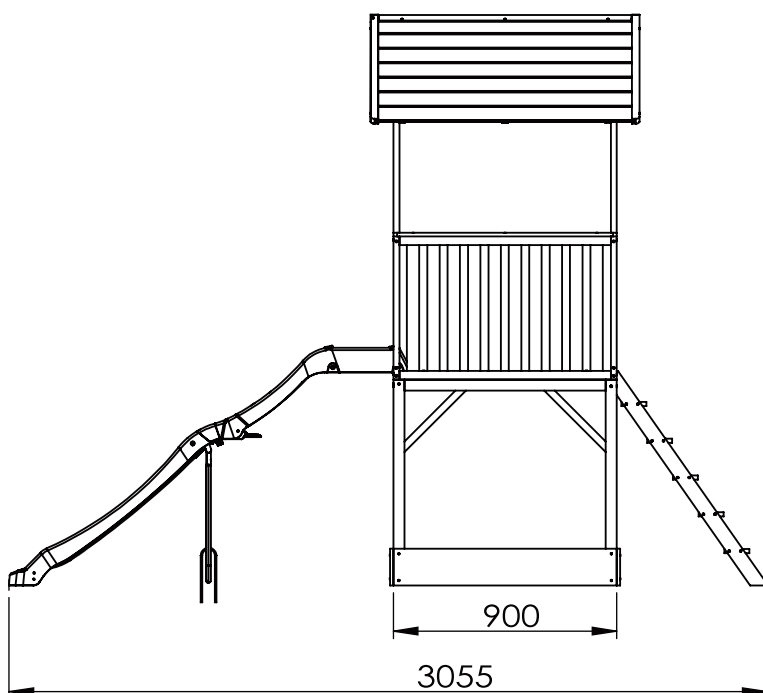
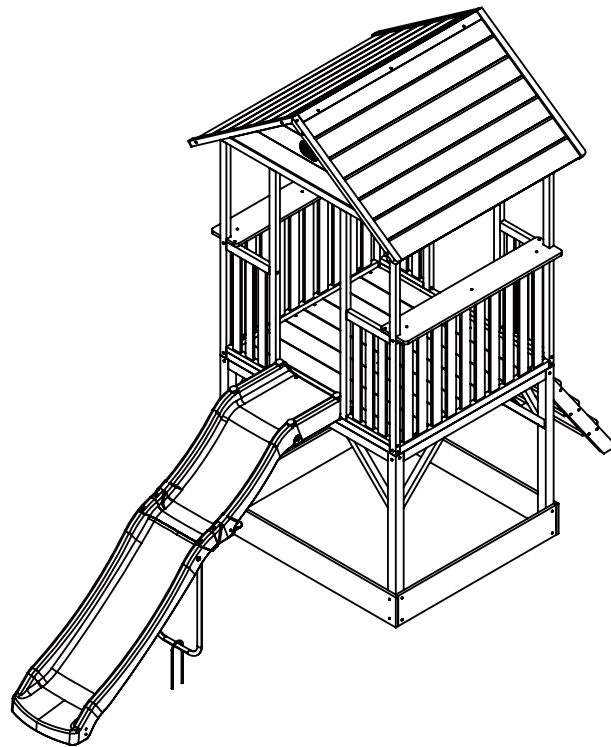


# Panorama 500

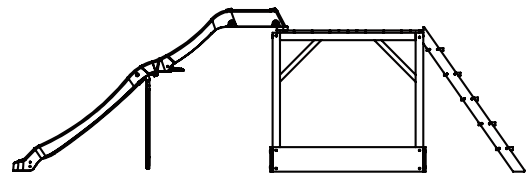
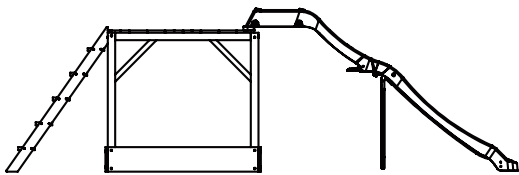
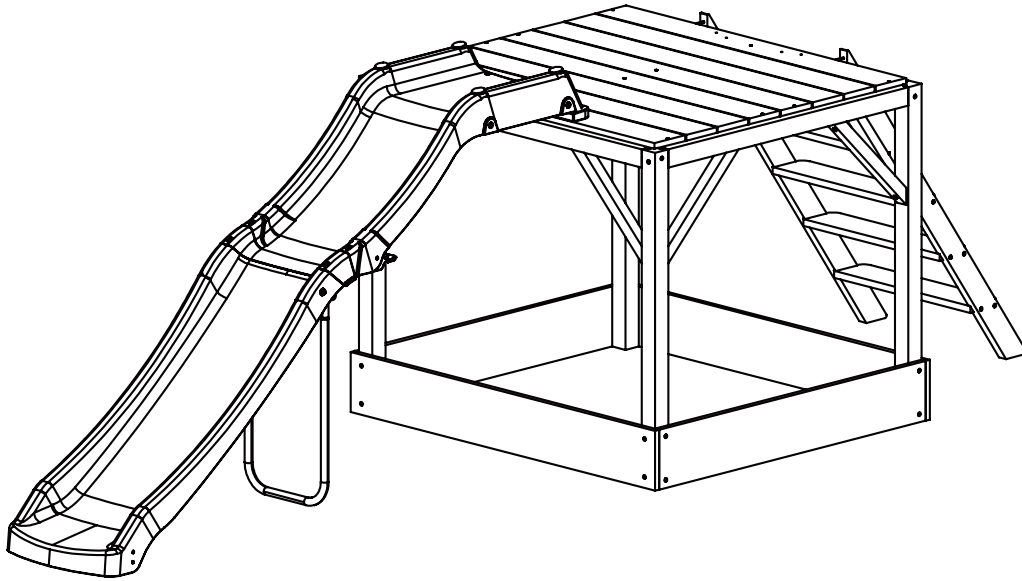




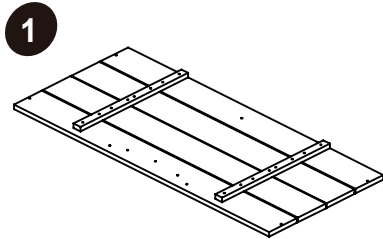
## Panorama 500



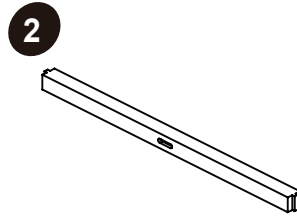
# Platform 500



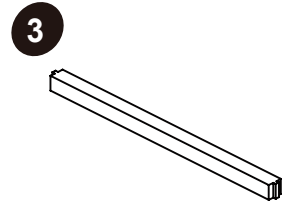
**22.5kg**



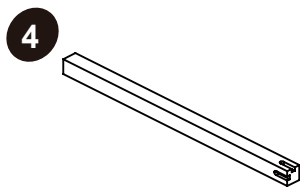
68.70.40.01 2x



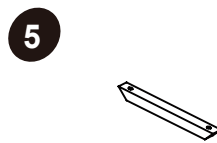
68.70.40.02 2x



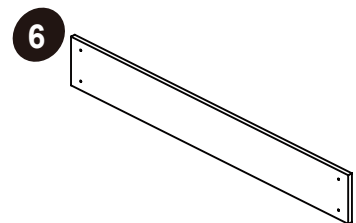
68.70.40.03 3x



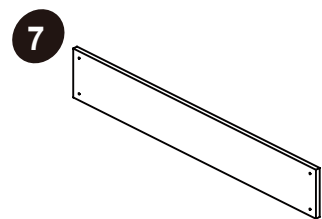
68.70.50.01 4x



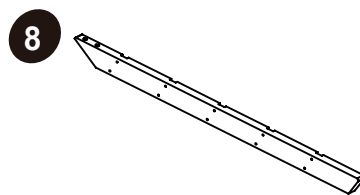
68.70.40.04 8x



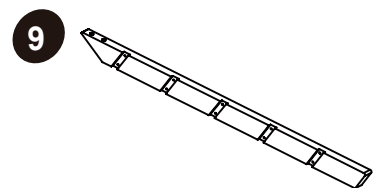
68.70.50.02 2x



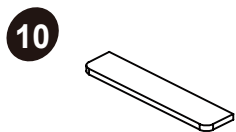
68.70.50.03 2x



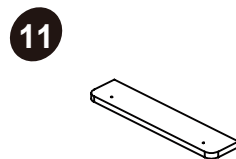
68.70.50.04 1x



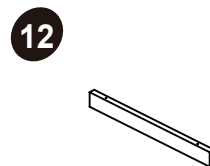
68.70.50.05 1x \*



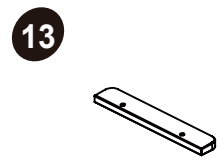
68.70.40.05 4x



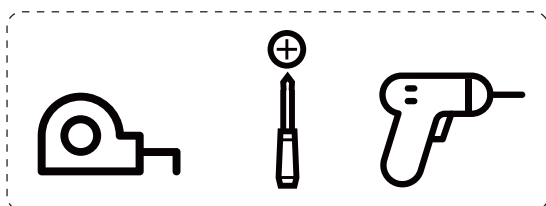
68.70.50.06 1x



68.70.50.07 1x



68.70.50.08 1x



\* BOX REFERENCE: XX.XX  
 PRODUCTION ID: XXX XXX



68.70.50.80



14

$\phi$ 4x70 12x



15

$\phi$ 4x50 6x



16

$\phi$ 3.5x40 24x



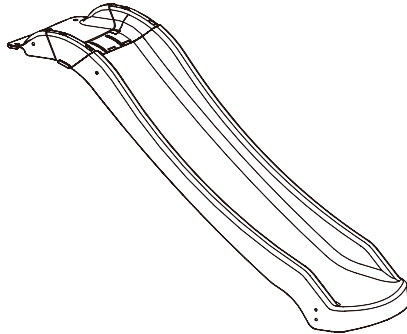
17

$\phi$ 3x35 44x

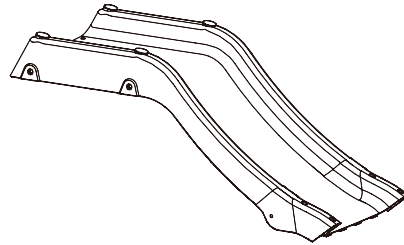


18

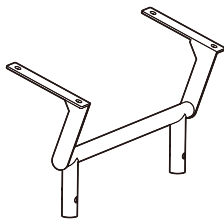
$\phi$ 3.5x30 4x



S1

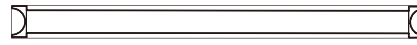


S2



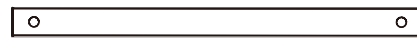
S3

S4

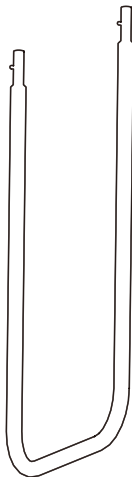


300mm

S5



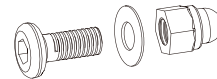
306mm



S6

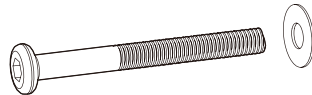


S7



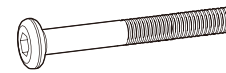
S8

M6x15 9x



S9

M6x58 4x



S10

M6x30 2x

T1



Tool 1x

T2



Tool 1x

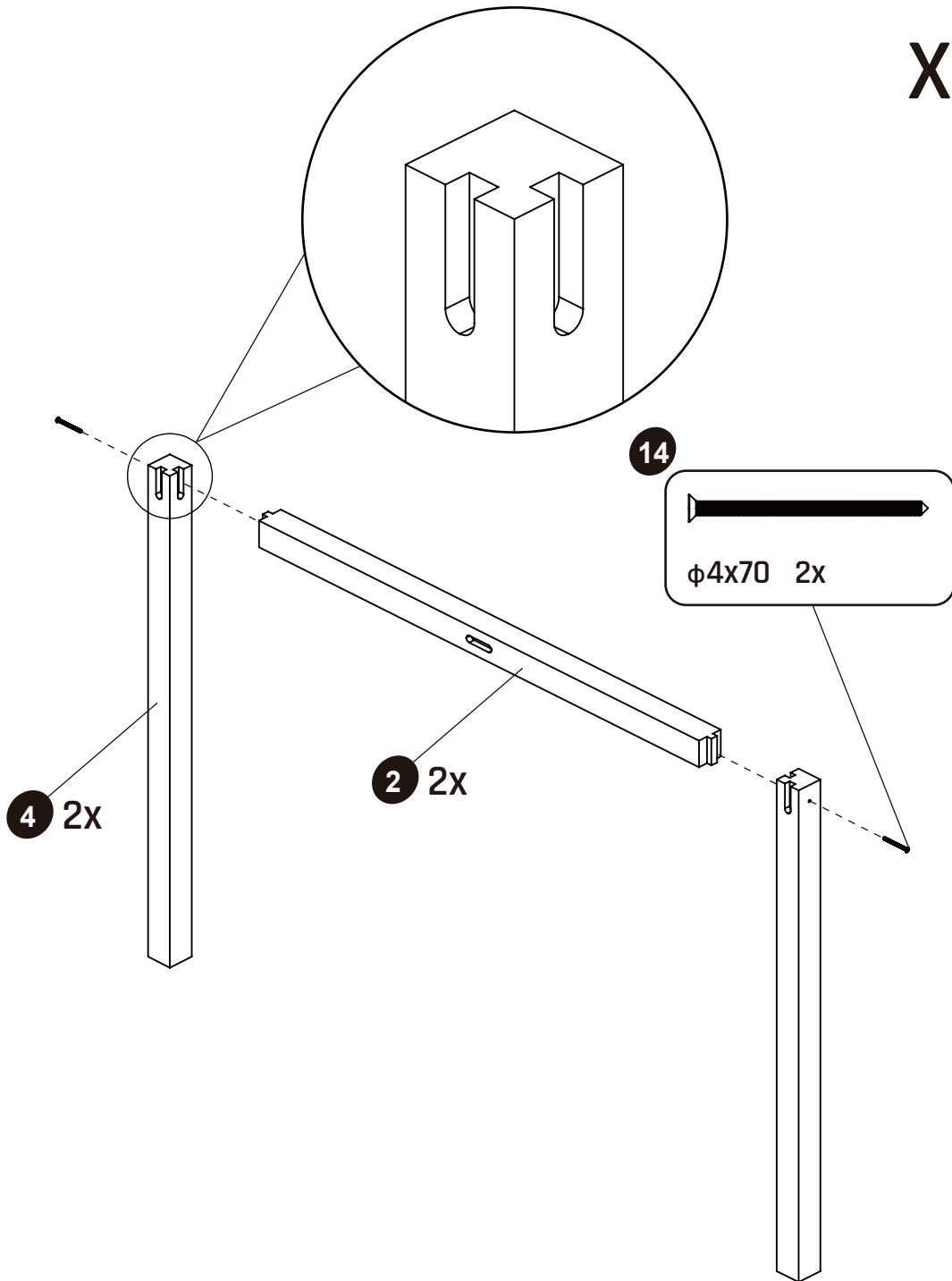
T3



Tool 1x

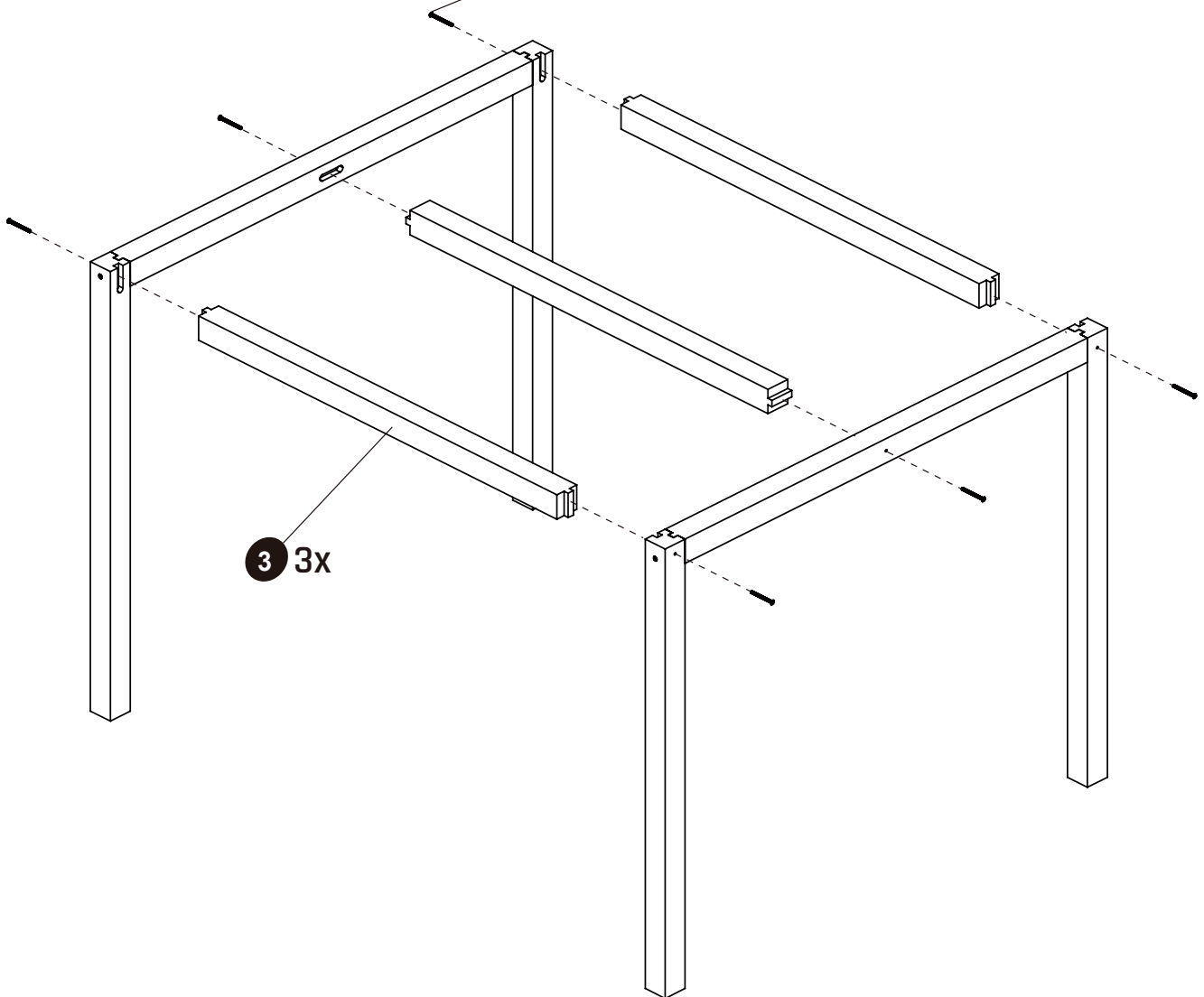
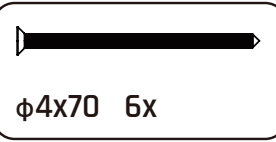
**1**

**X2**

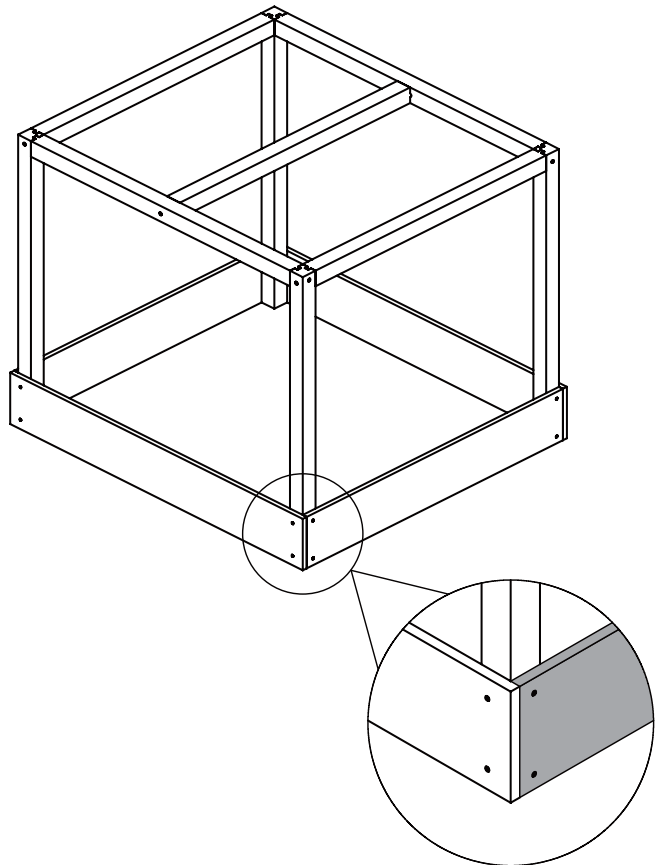
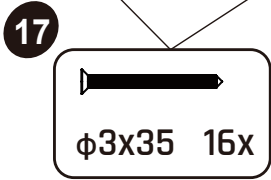
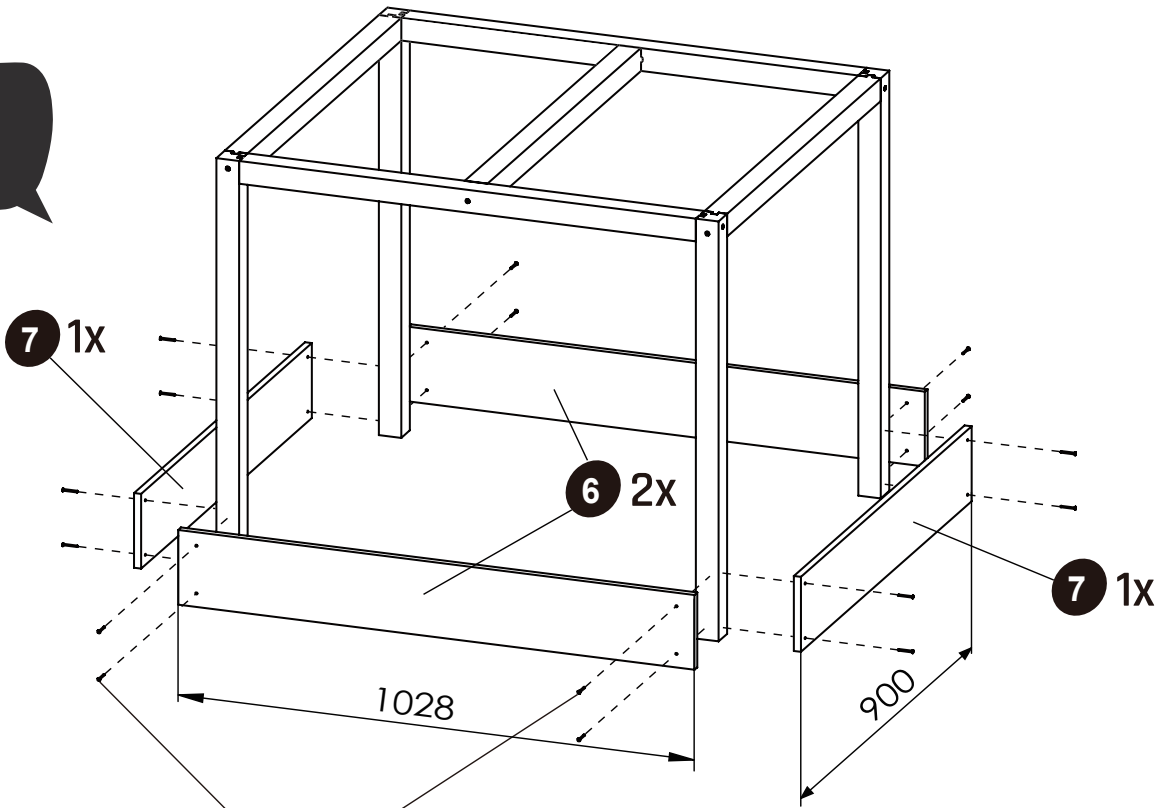


2

14



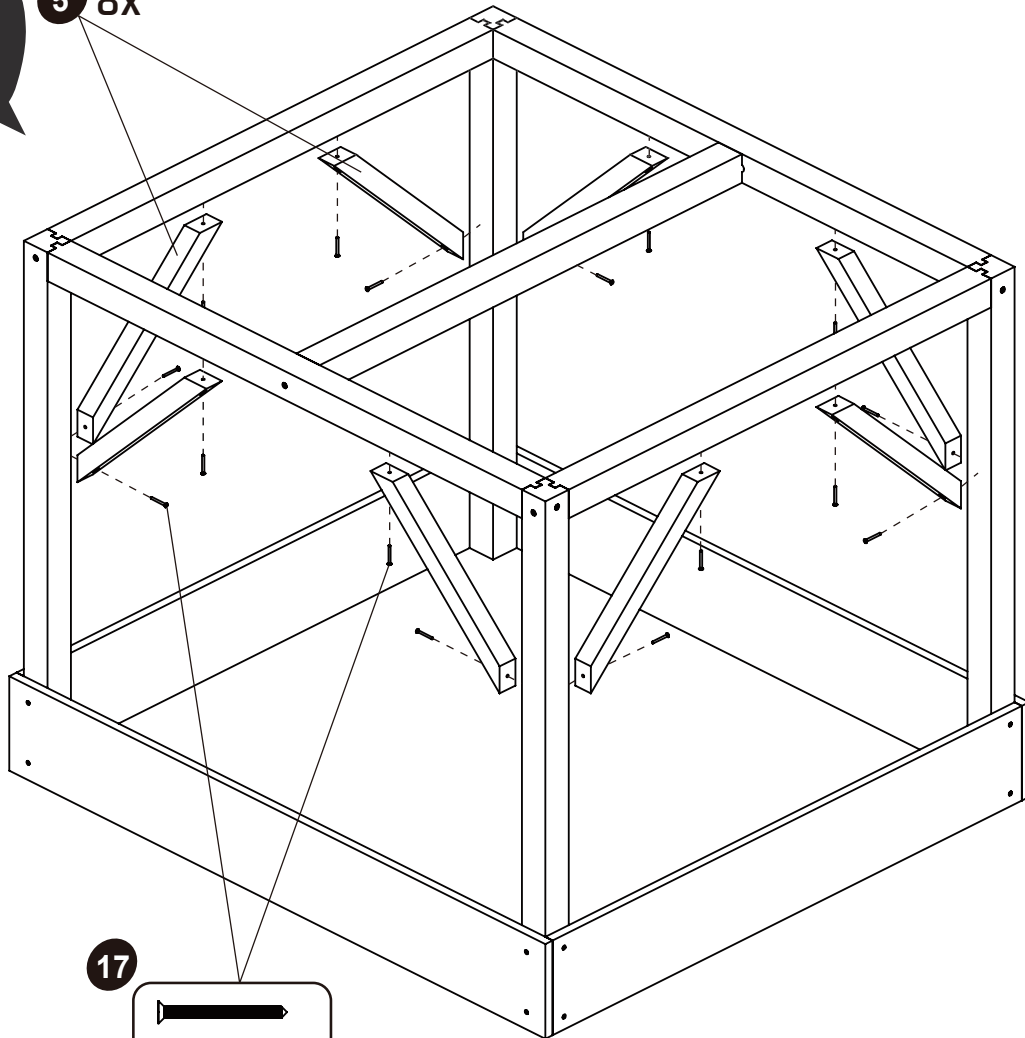
**3**



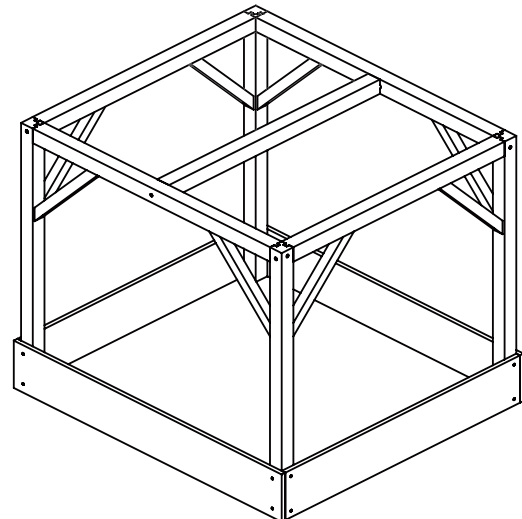
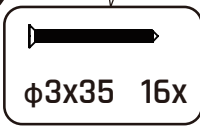


4

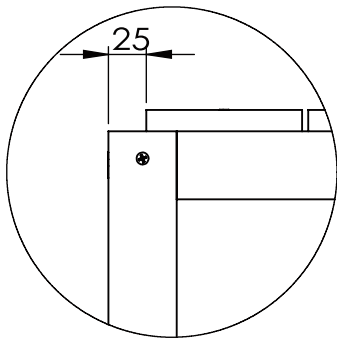
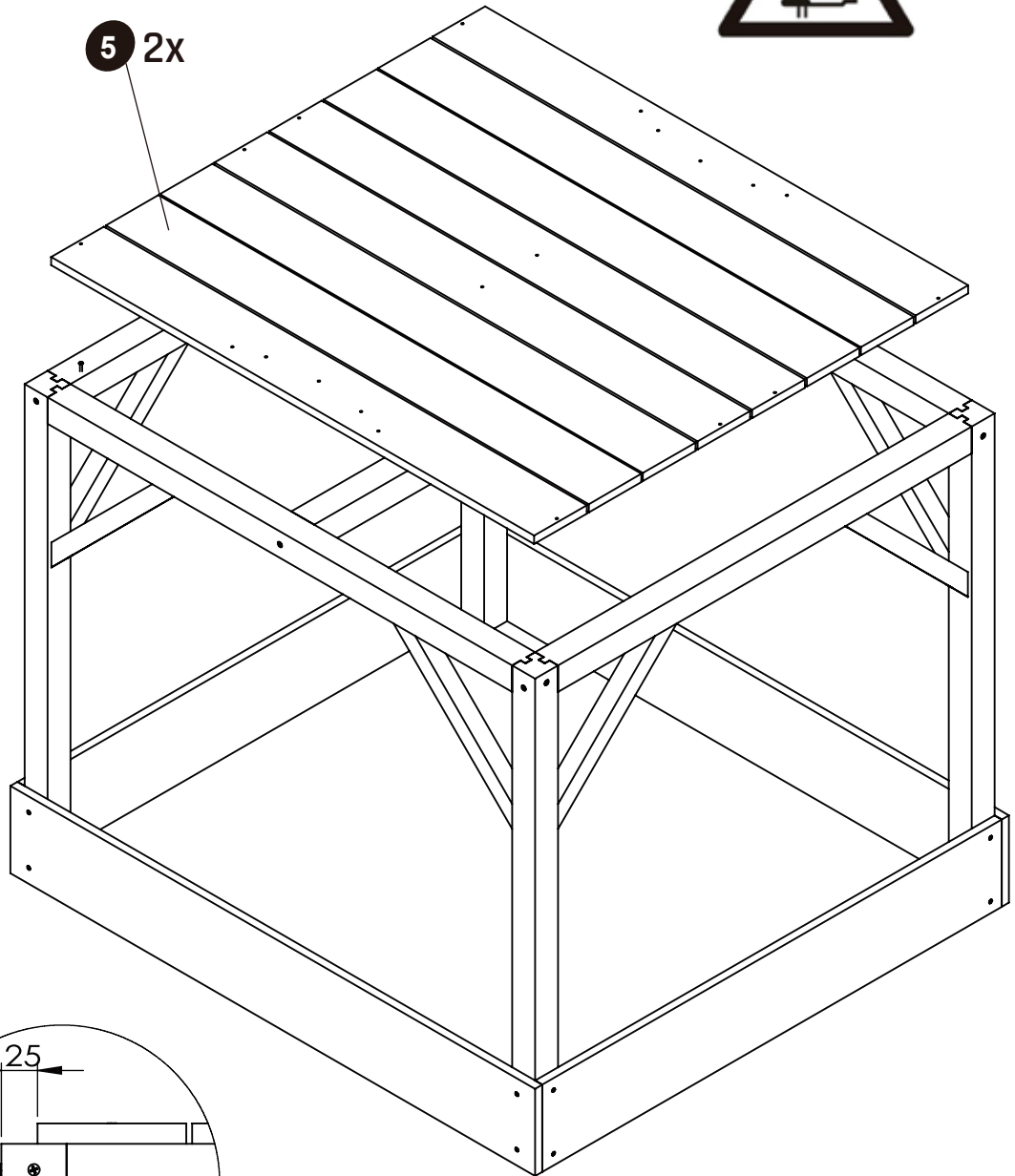
5 8x



17



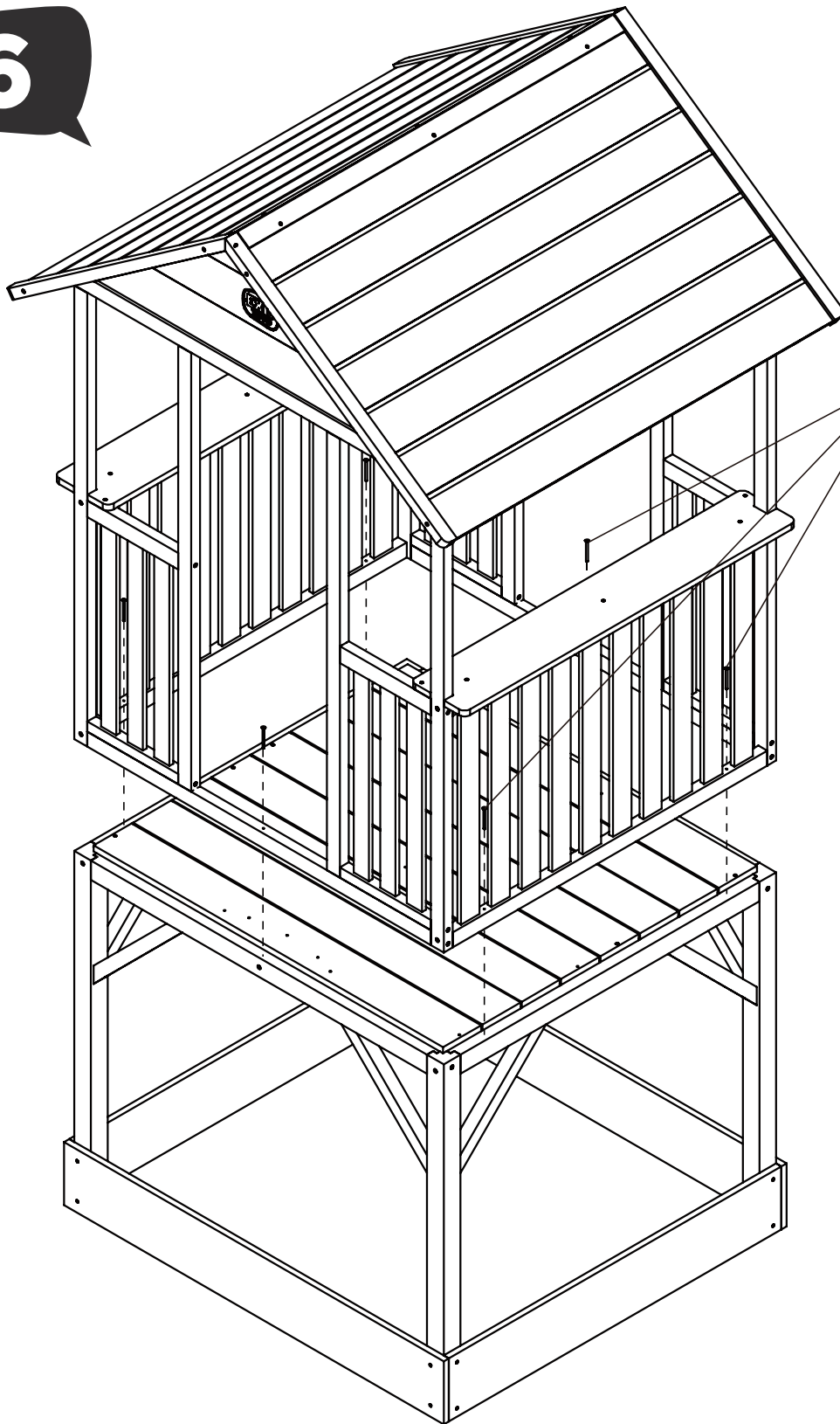
**5**



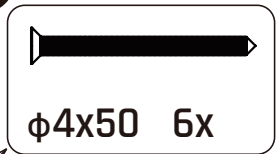
# Playhouse

EXIT Panorama

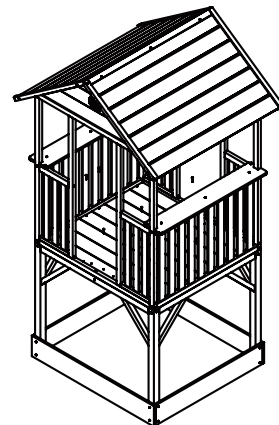
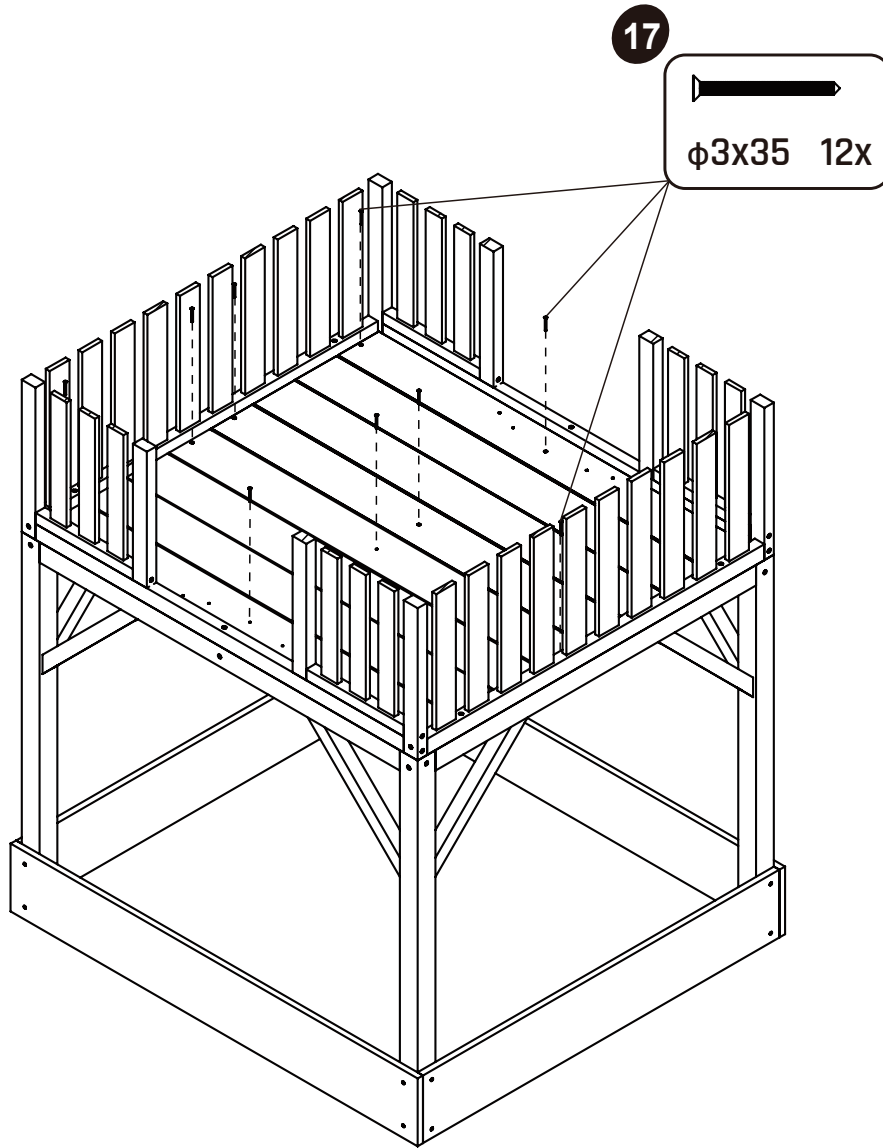
6



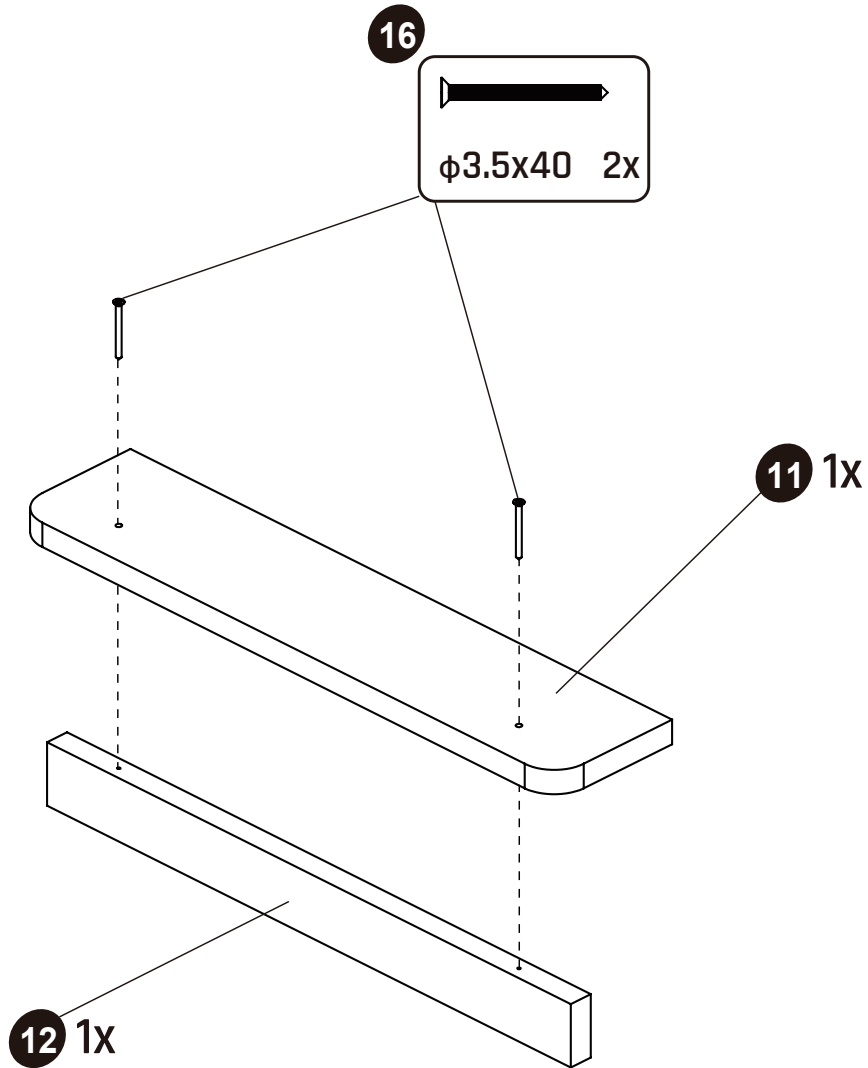
15



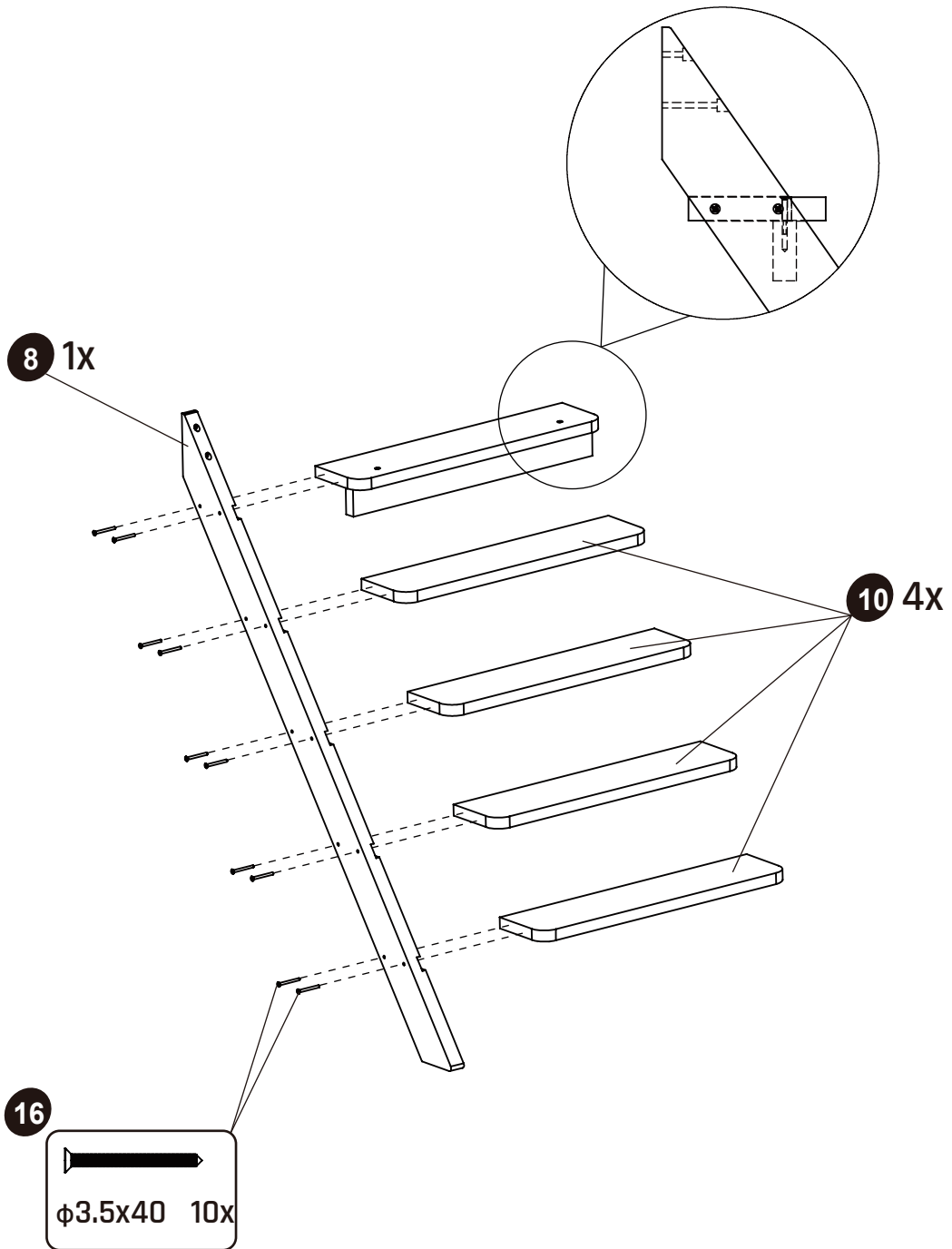
**7**



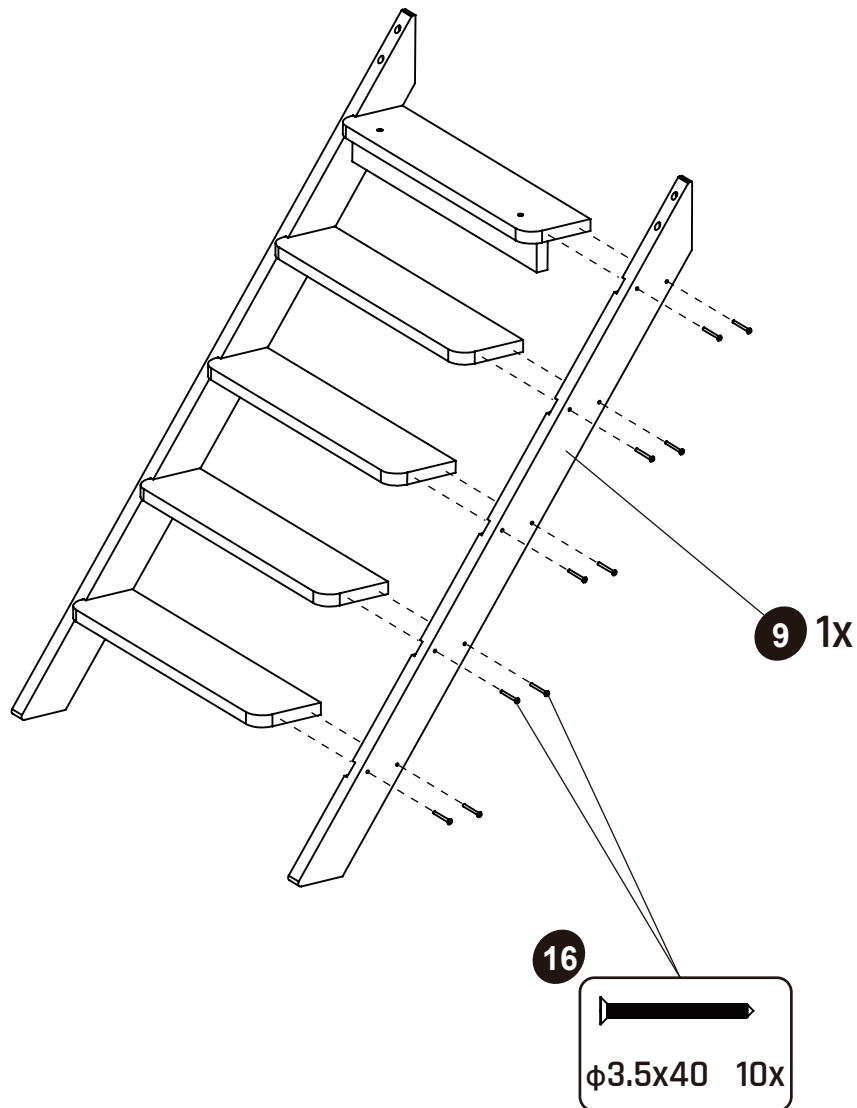
8



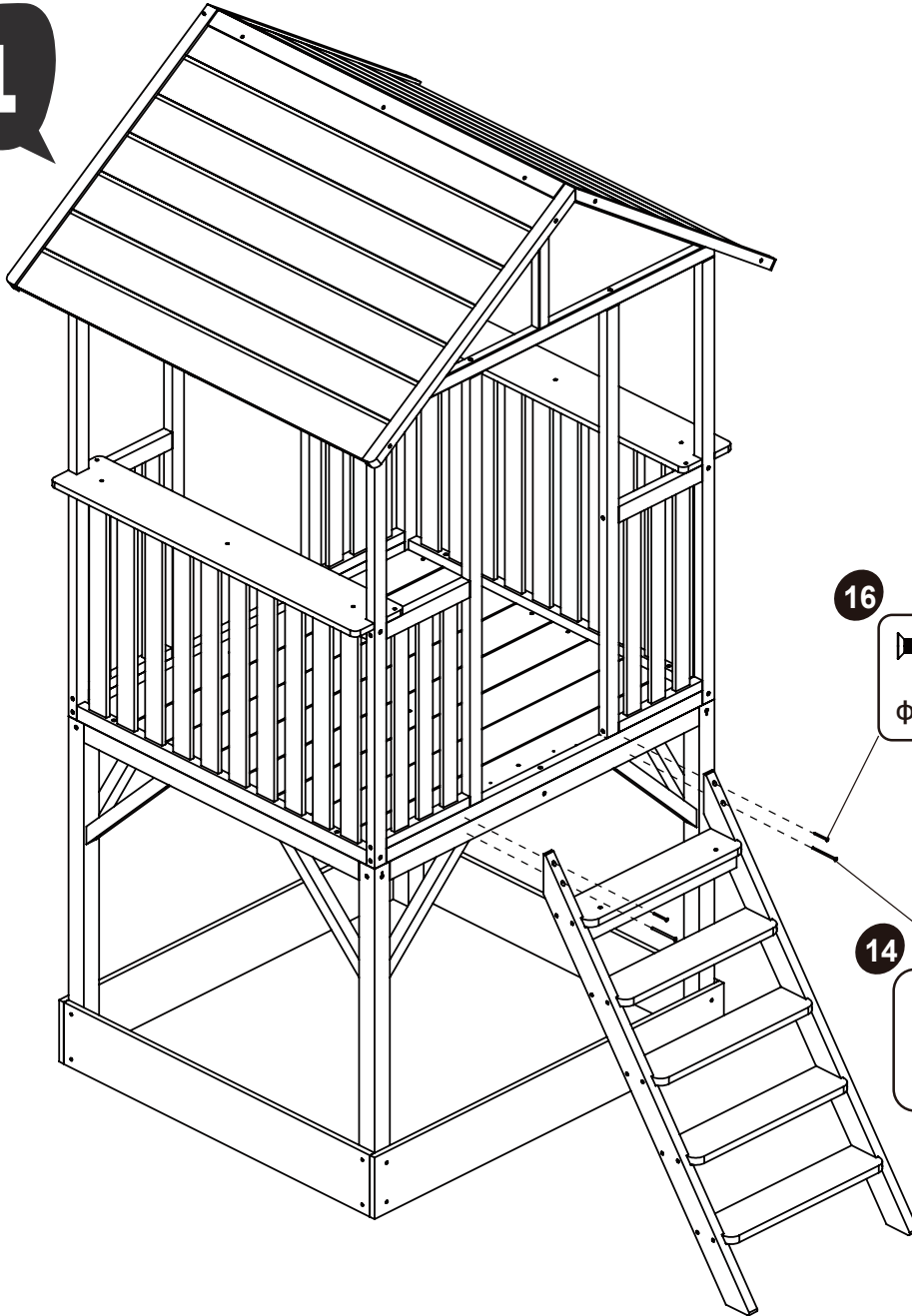
**9**





**10**

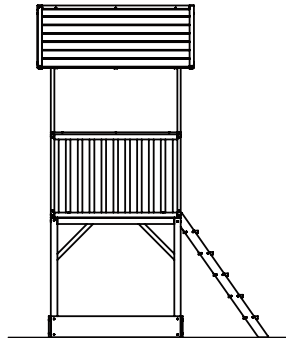
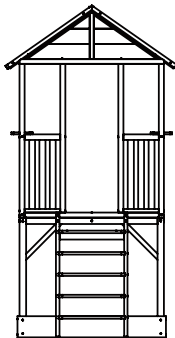


**11**



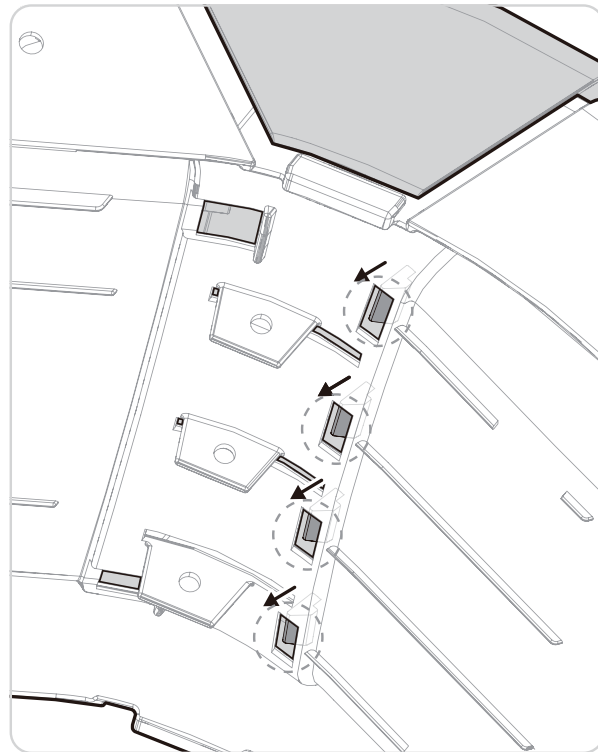
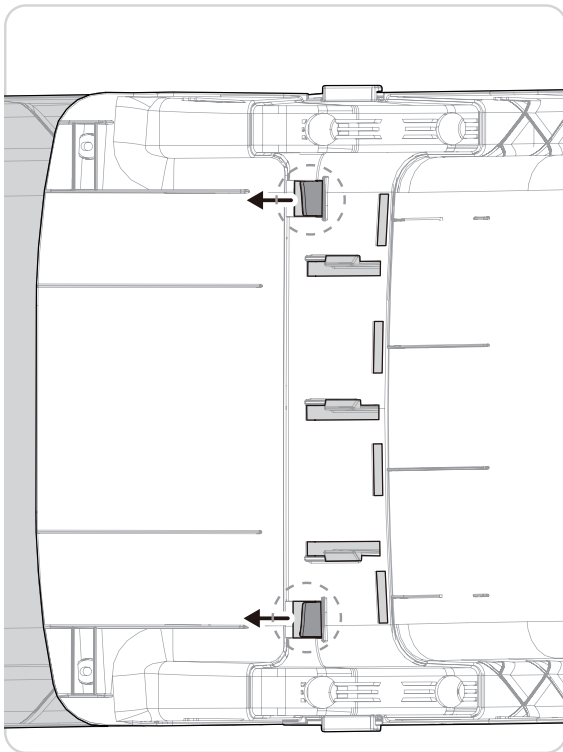
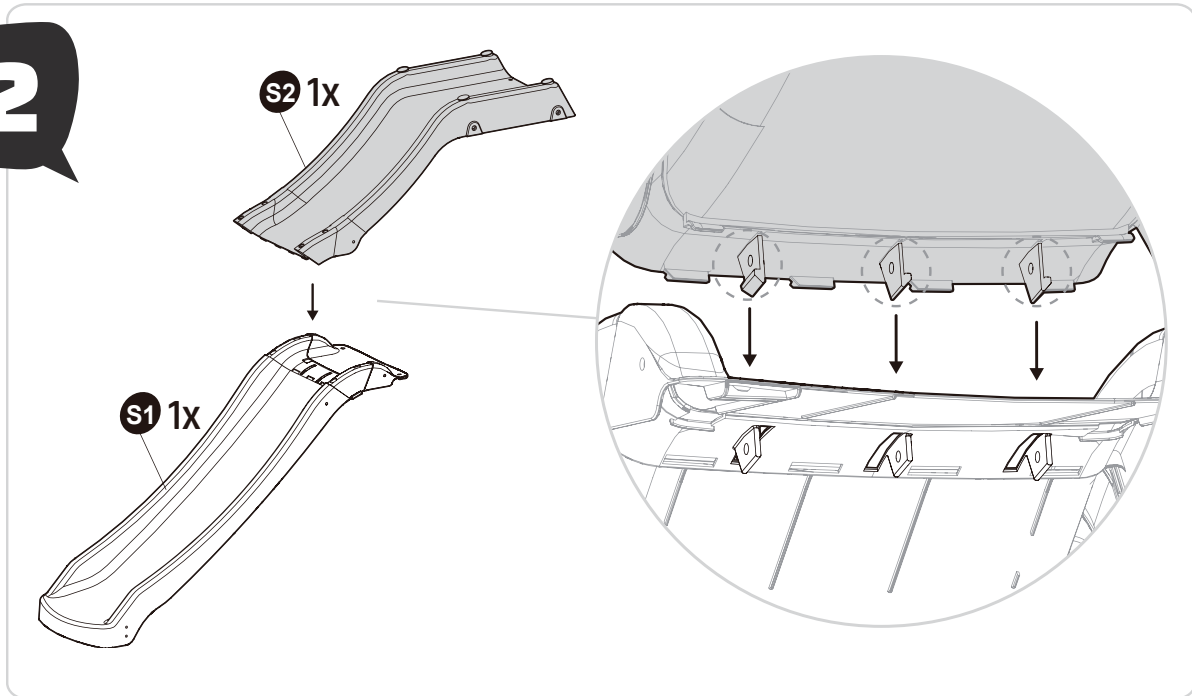
**16**  
  
φ3.5x40 2x

**14**  
  
φ4x70 2x

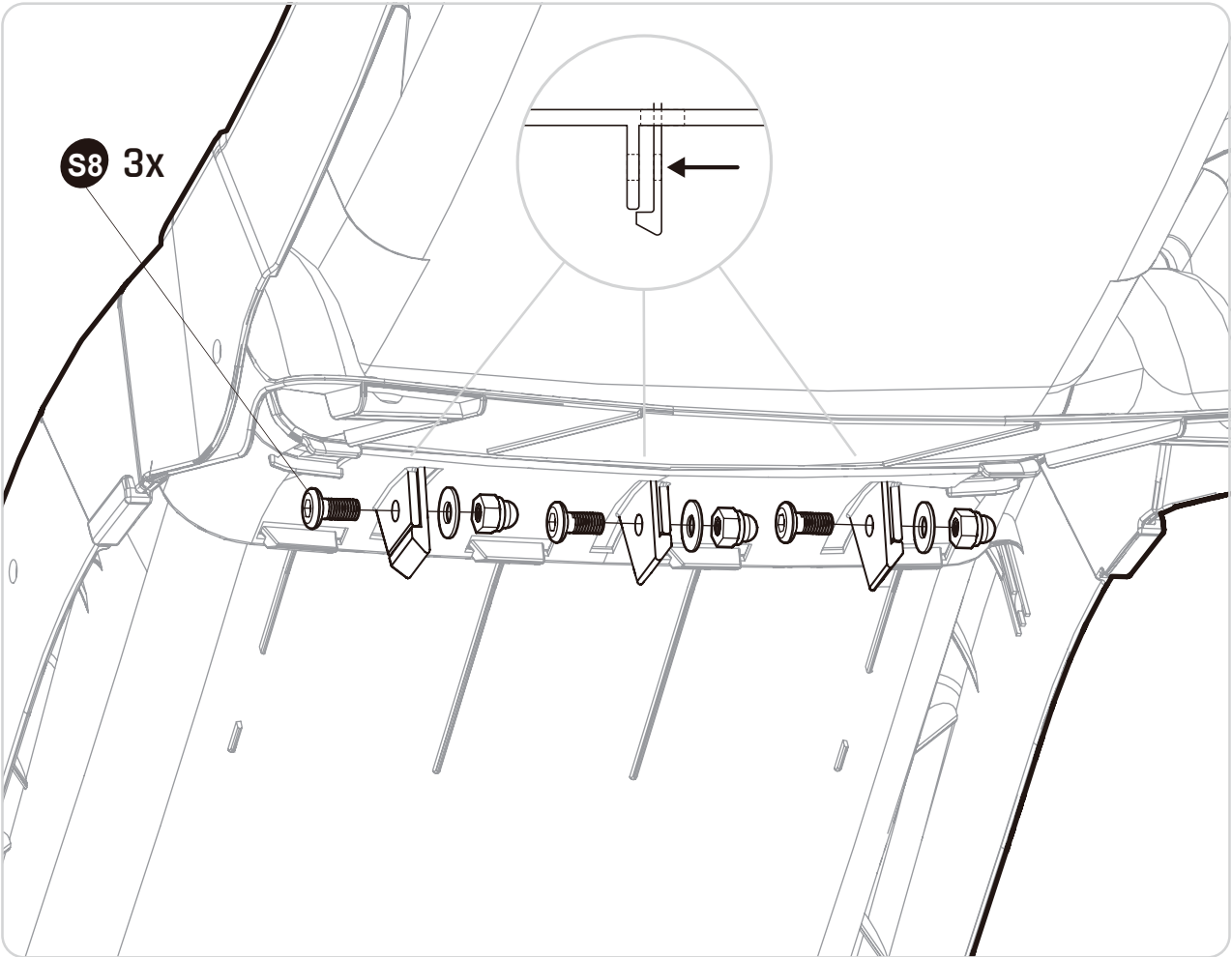
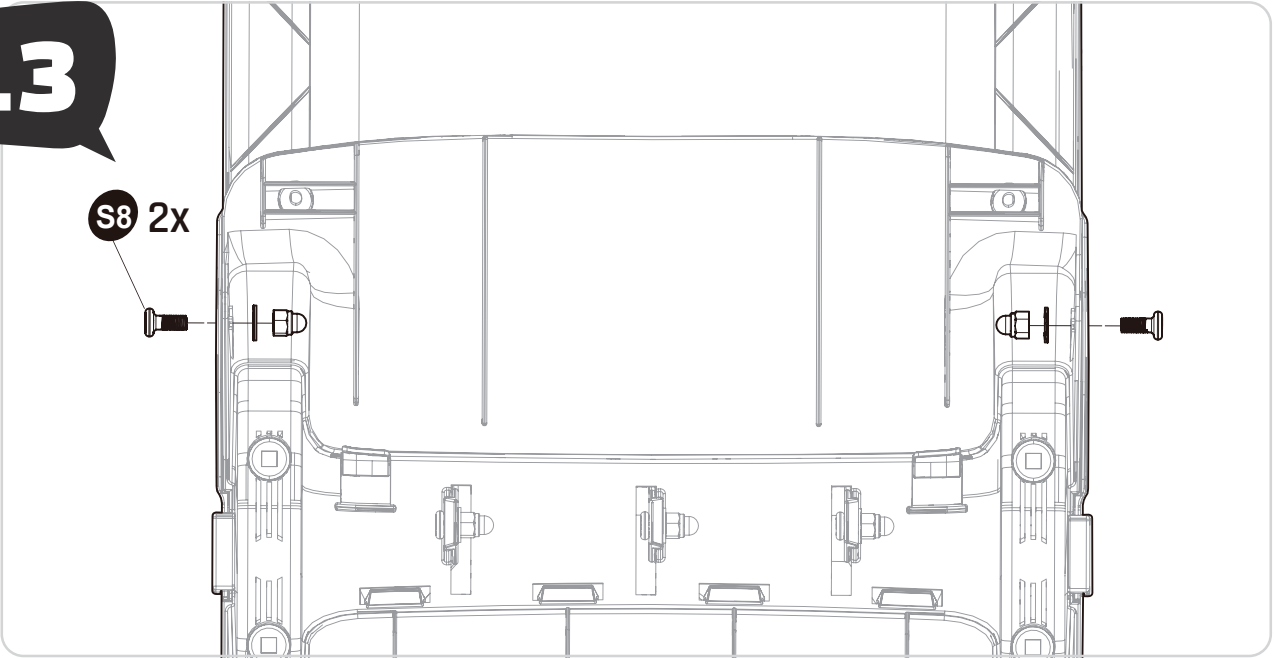




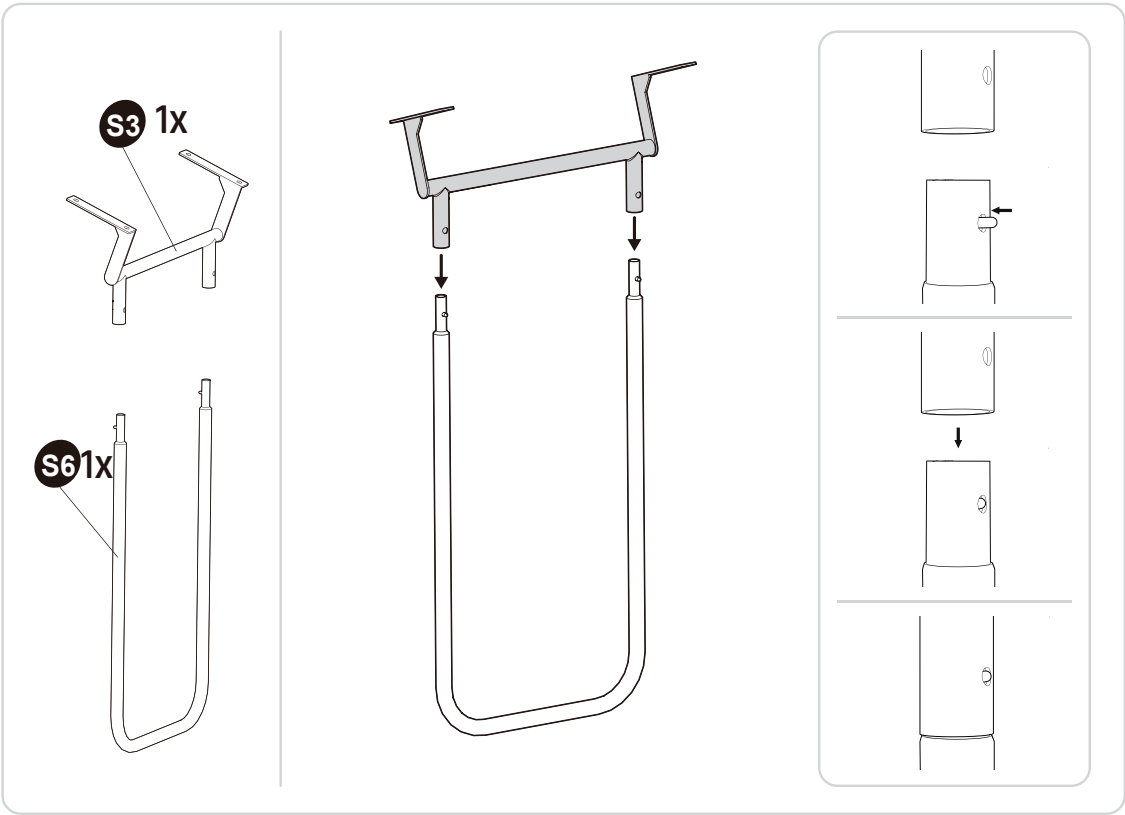
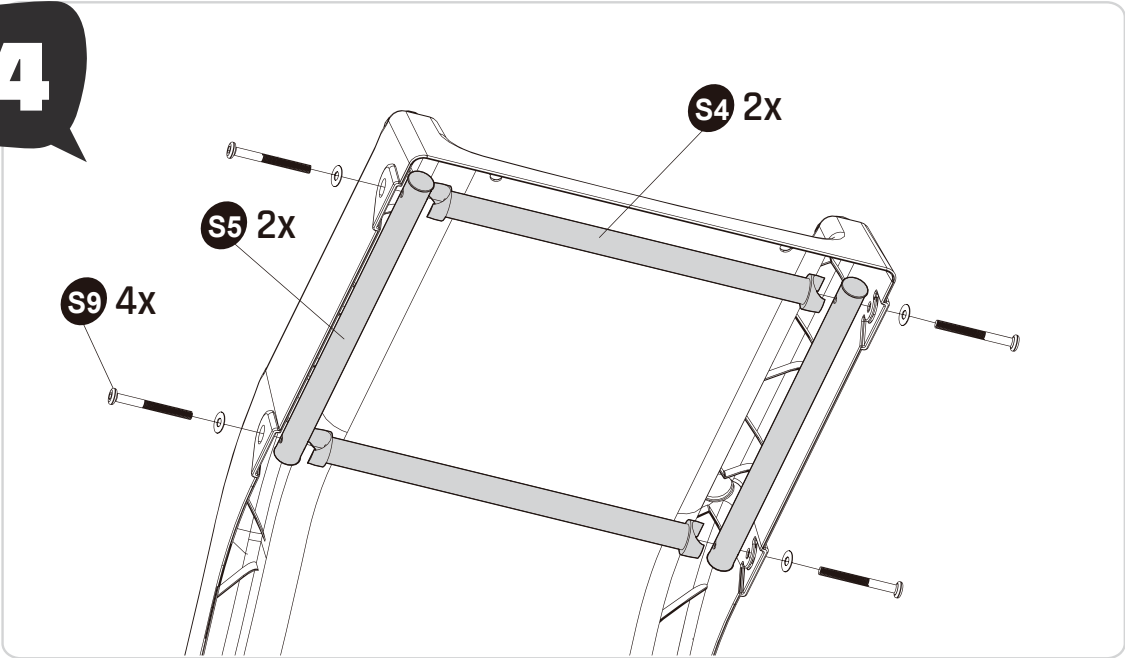
**12**



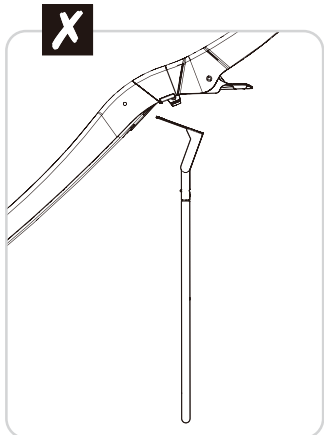
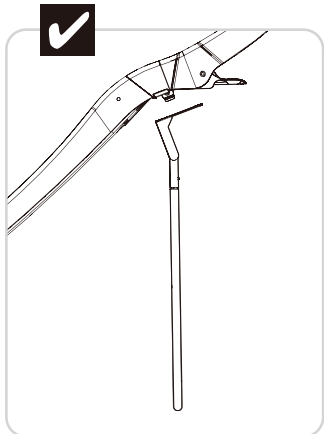
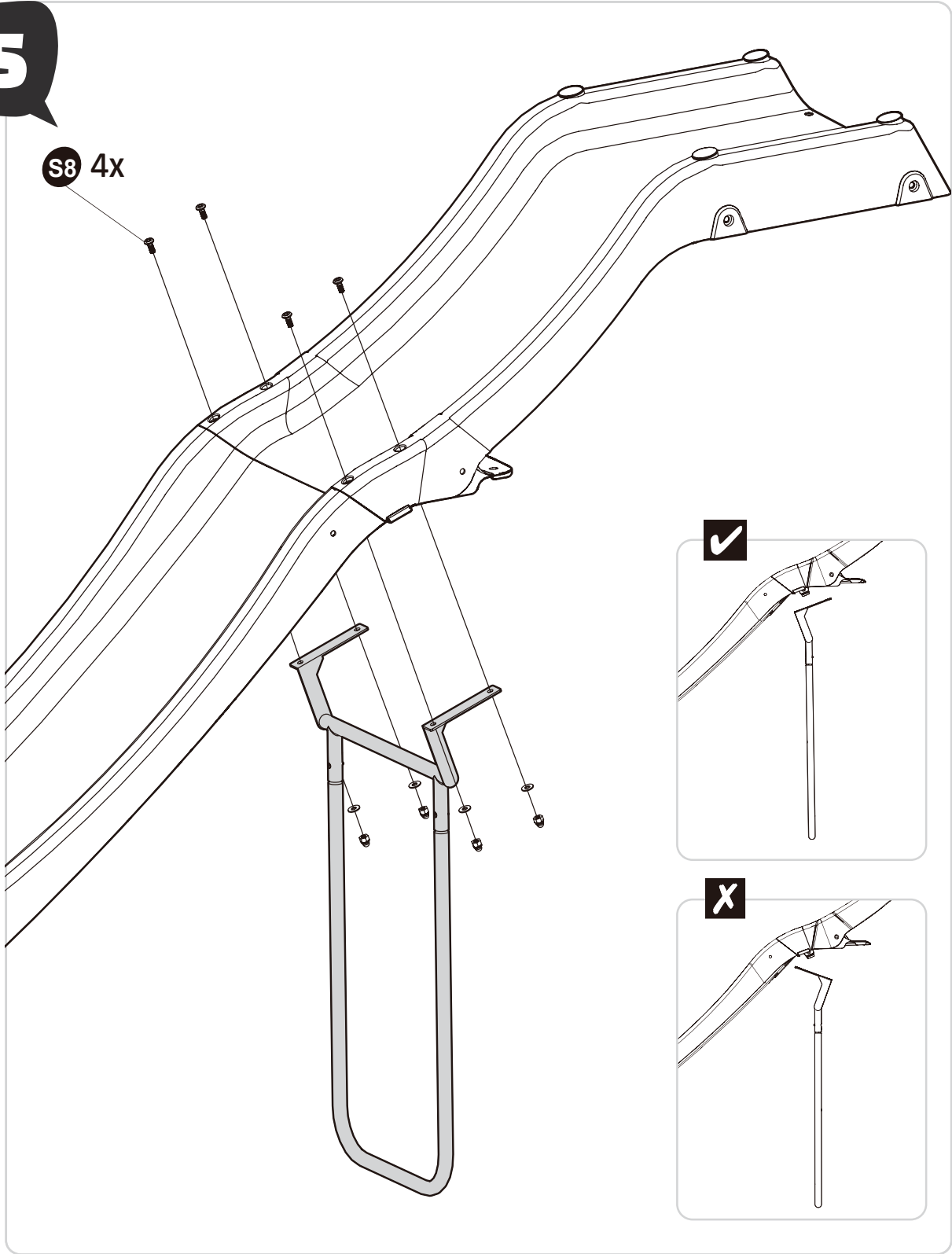
**13**



**14**

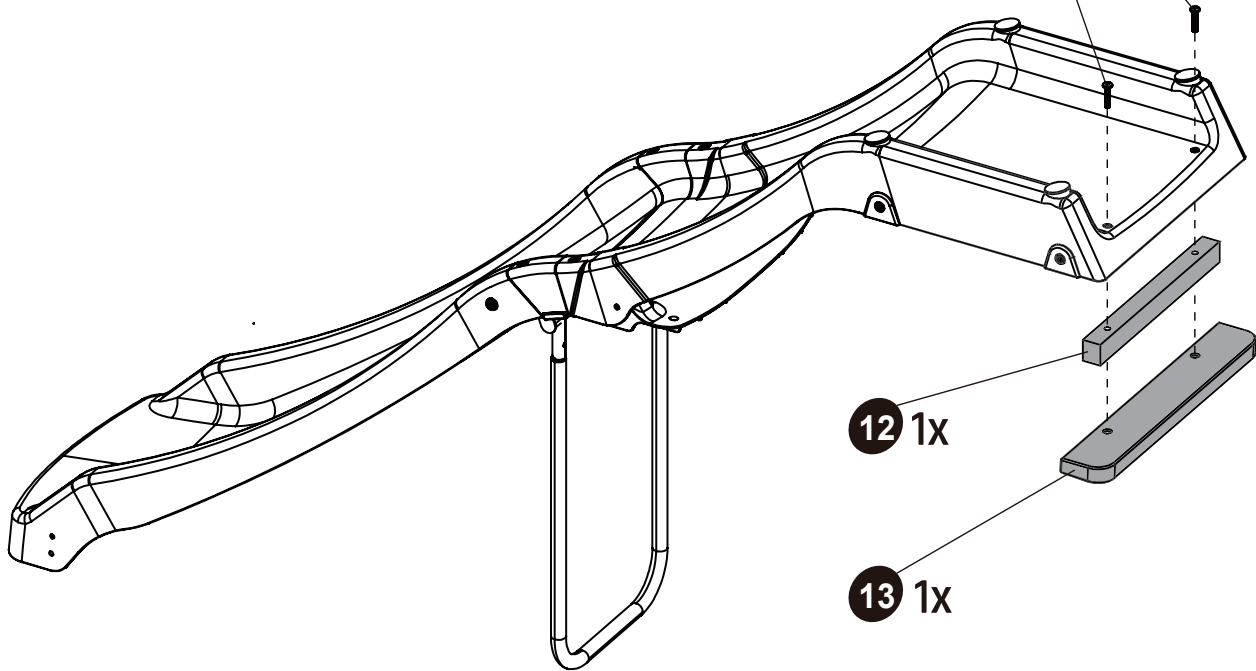
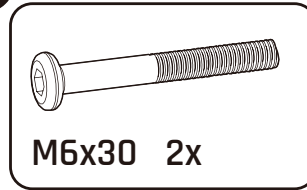


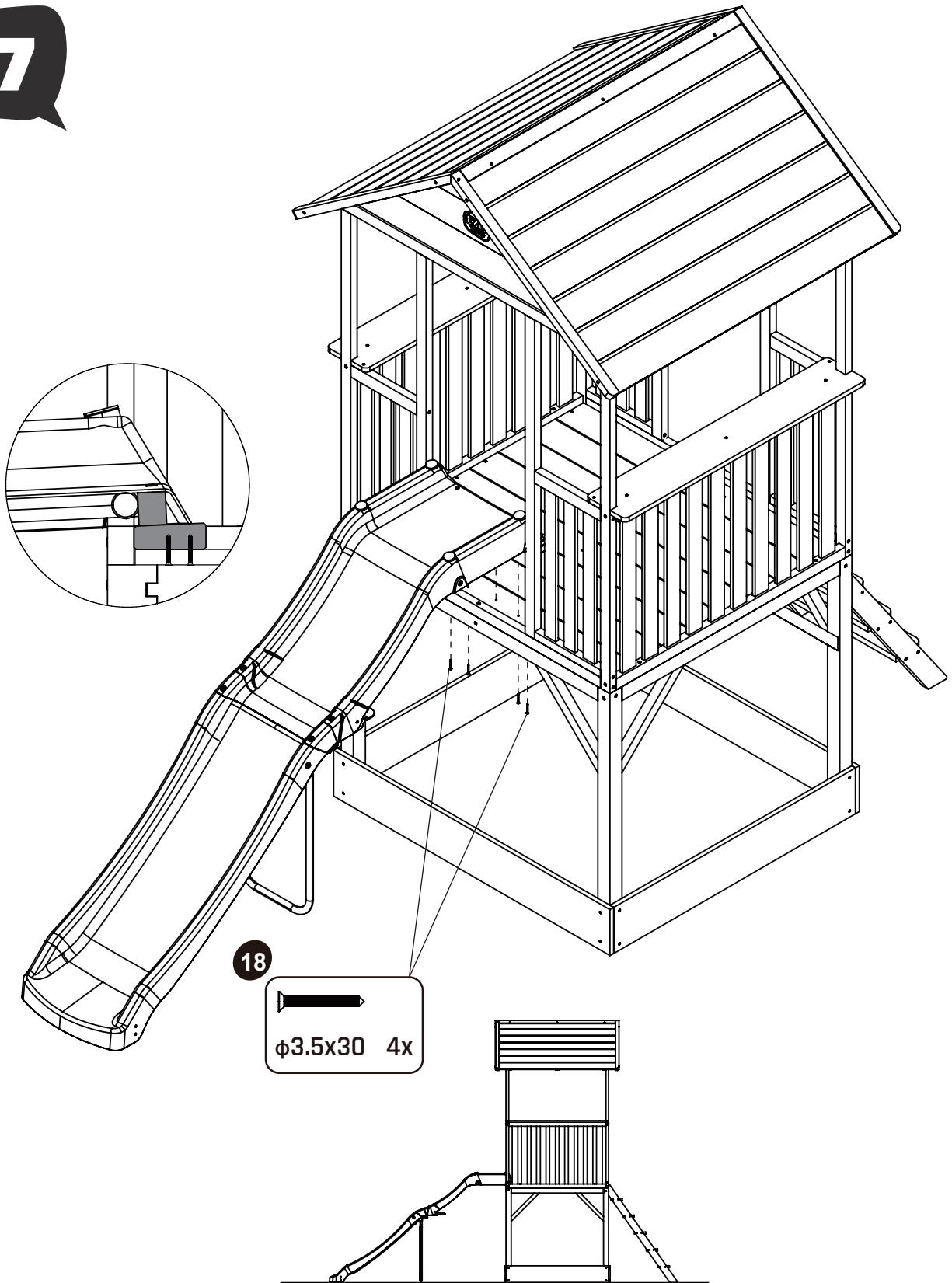
**15**



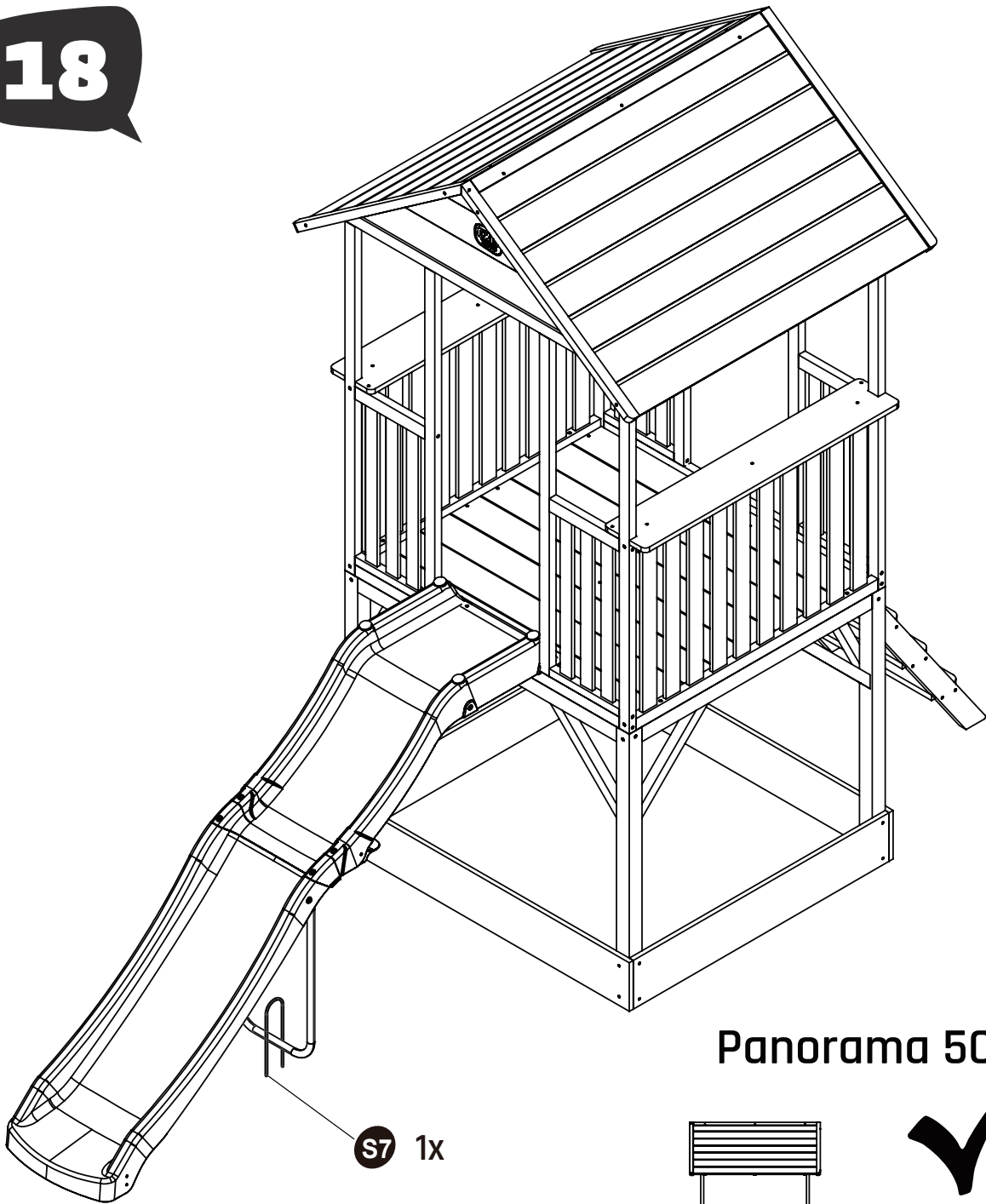
**16**

**S10**

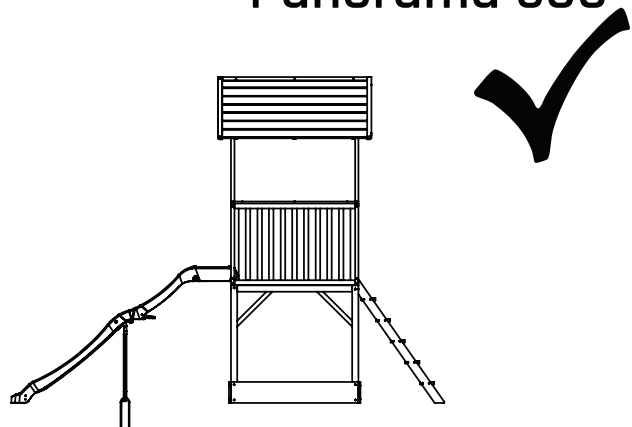




**18**



**Panorama 500**





[www.exittoys.com](http://www.exittoys.com)



**Contact Information:**

Dutch Toys Group B.V.  
Edisonstraat 83  
7006 RB Doetinchem, The Netherlands

[info@exittoys.com](mailto:info@exittoys.com)  
[www.exittoys.com](http://www.exittoys.com)

EXIT Toys is part of:

**SIMBA · DICKIE · GROUP**

EXIT Toys is a registered trade mark of Dutch Toys Group